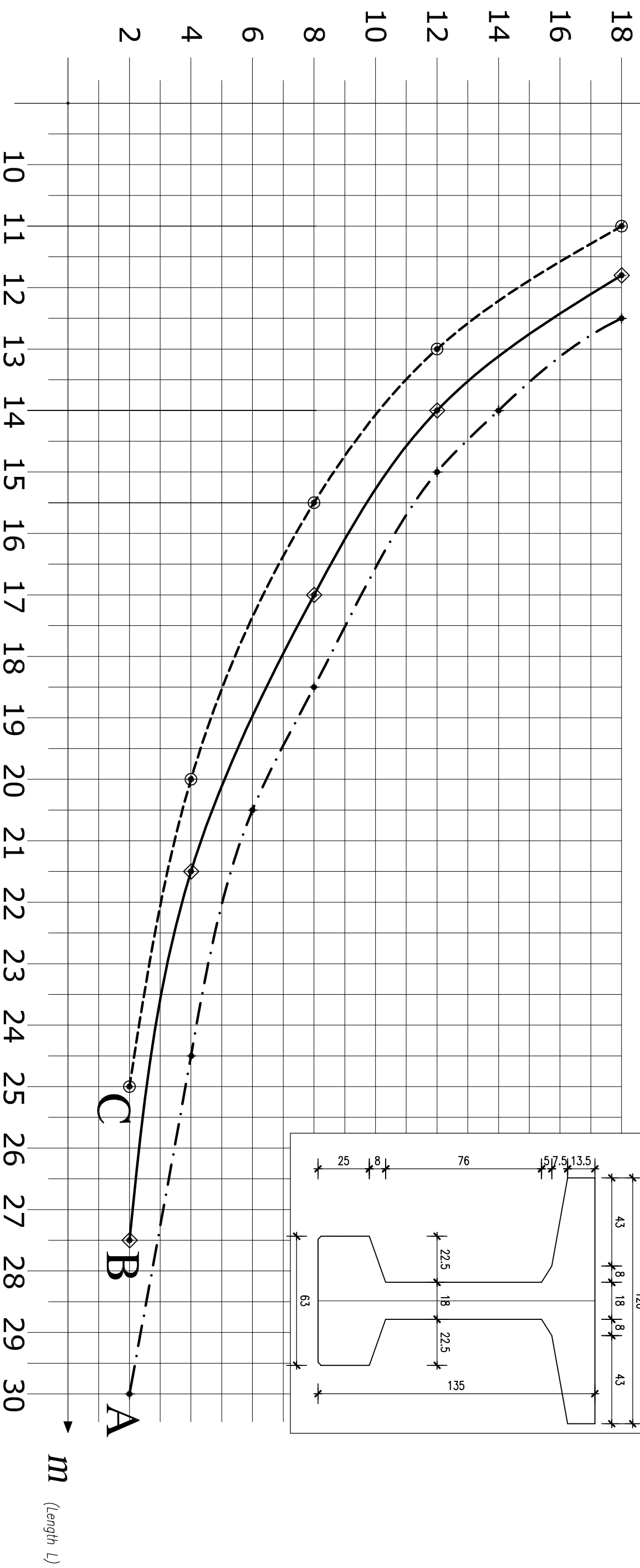
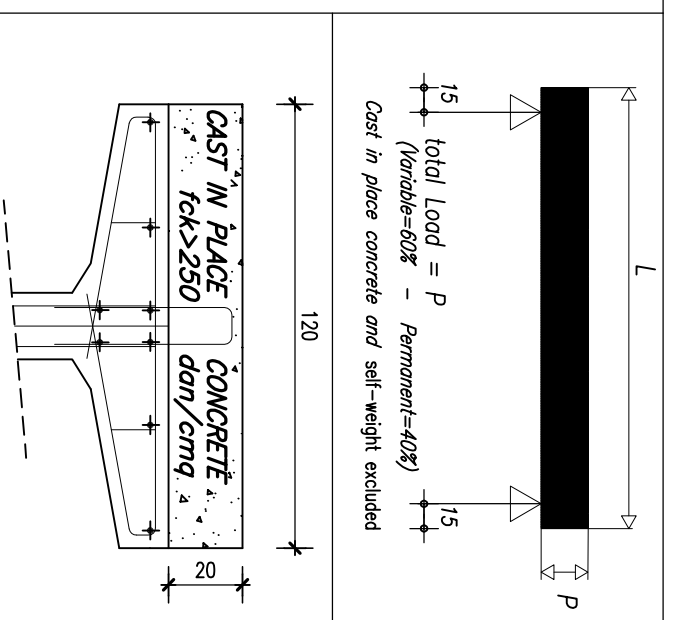
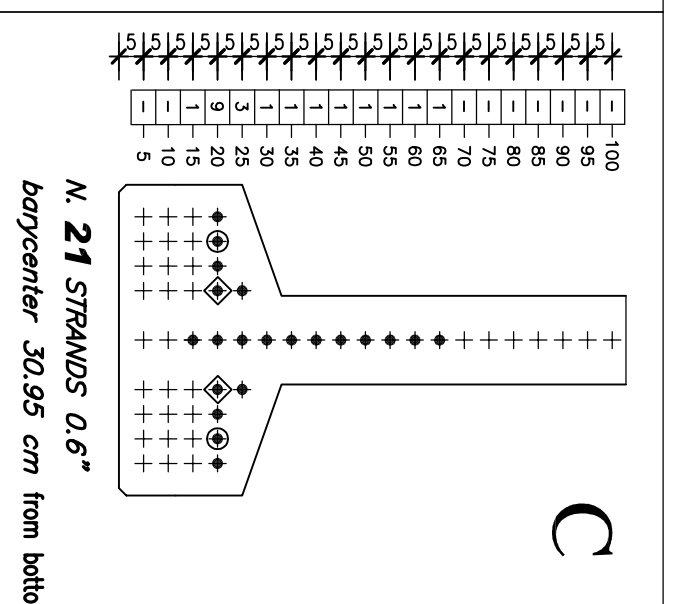
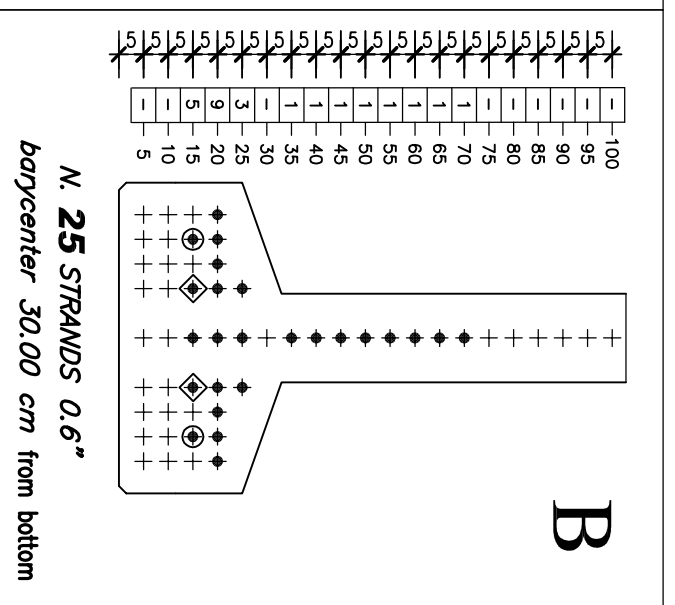
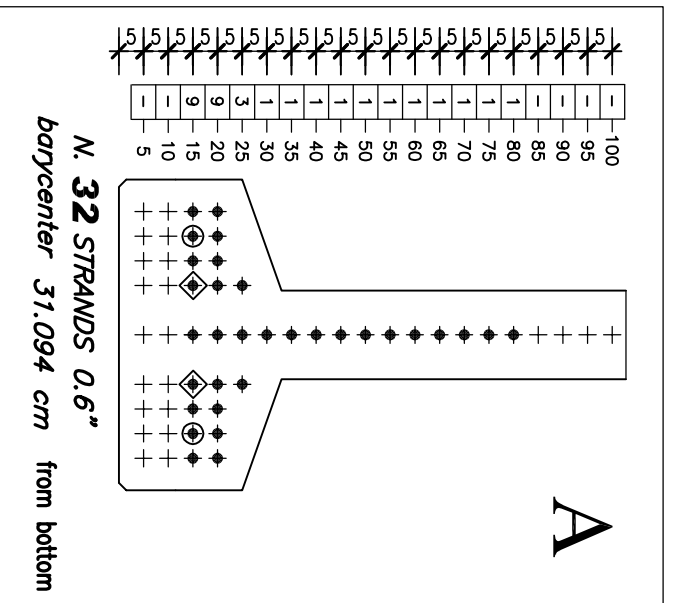
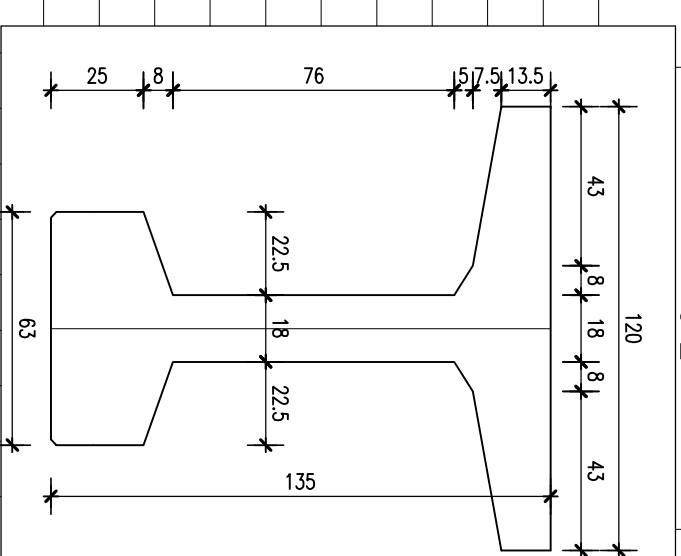


t/m (total Load P)



Beam Type 8



ENGISOFT
DESIGNANO 4/6 (BS)
(IACS) in english language
Mail: info@engisoft.org

Object: STANDARD PRESTRESSED CONCRETE GIRDERS
Beam Type 8
Revisions: 11-06-08

PHASE: N° JOB: 88(C2049) Diagrams

According to the law the property of the present design is reserved.
Prohibition of reproduction and communication without graphic artist's authorization.