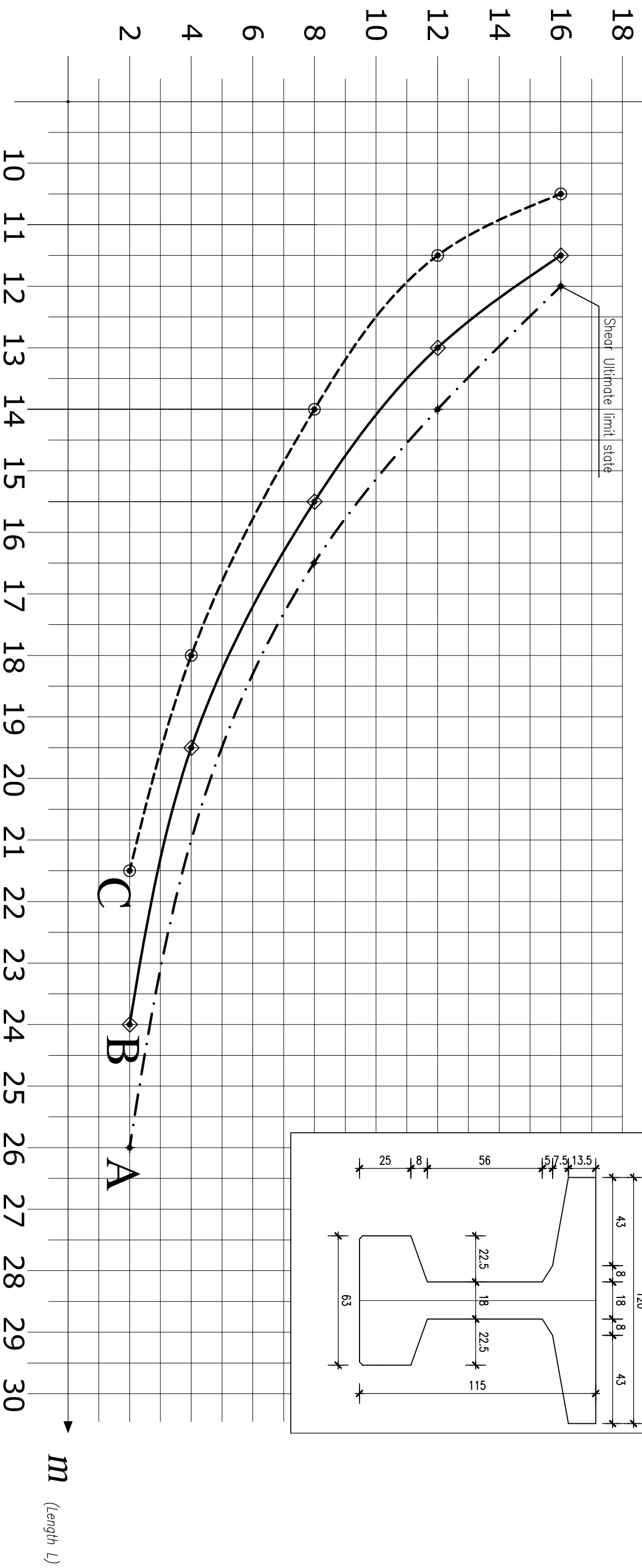
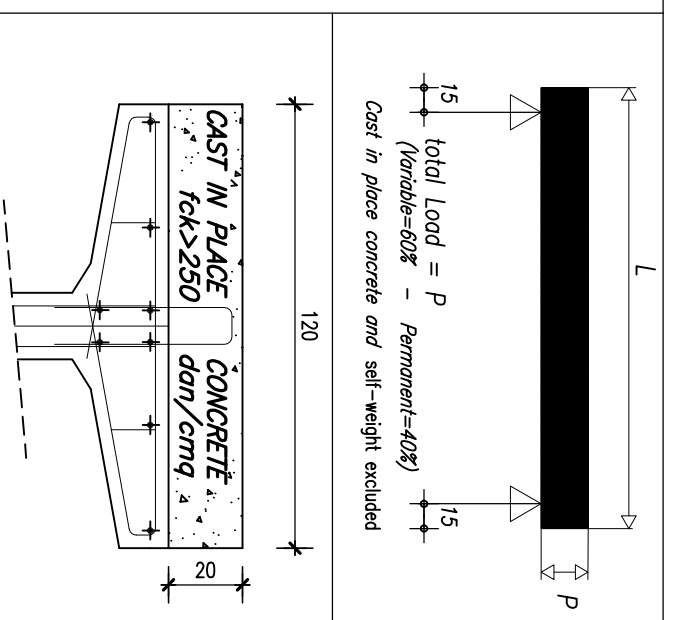
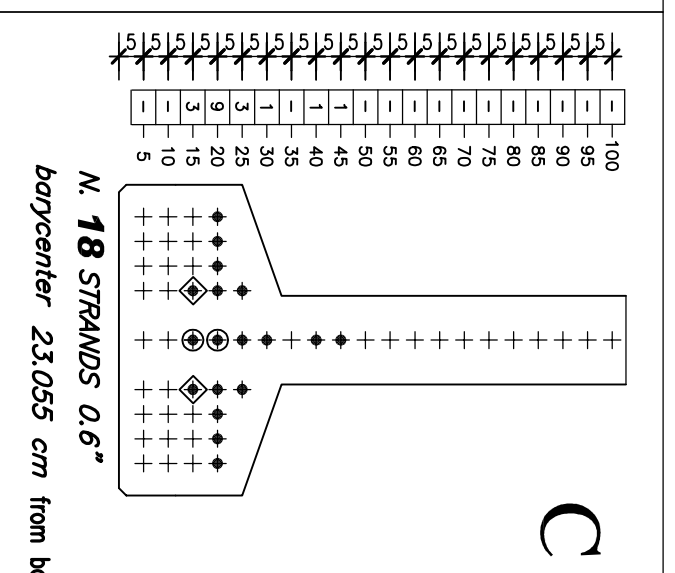
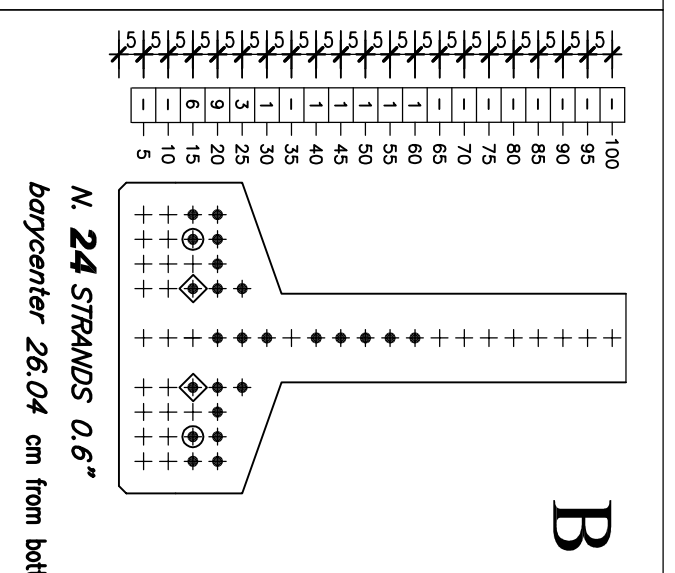
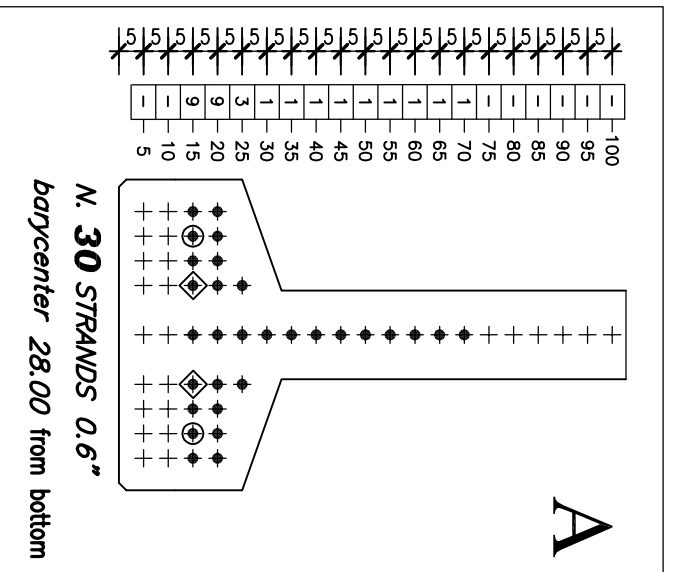
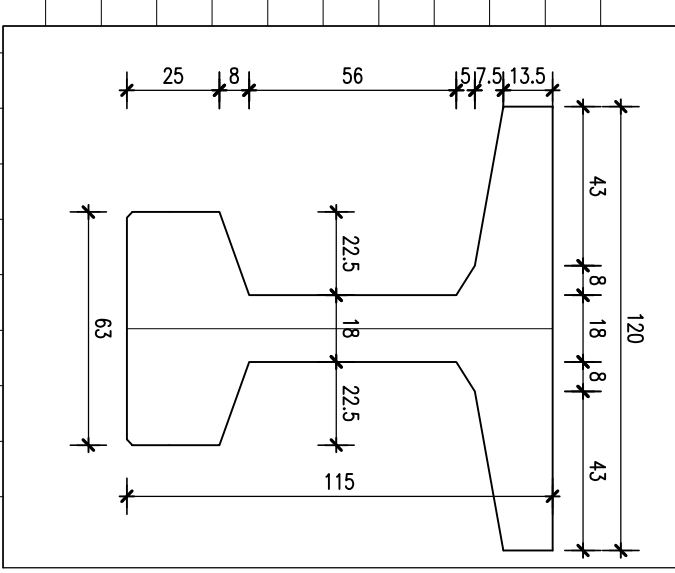


t/m (total Load P)



Beam Type 7



ENGISOFT
DESIGNAZIONE q/6 (BS)
(ITALY) in englisch
Mail: info@engisoft.it

Object: STANDARD PRESTRESSED CONCRETE GIRDERS

Beam Type 7

Beam Type Use

11-09-08

Revisions: -----

PHASE

N° JOB 88(C2049) Diagrams

According to the law the property of the present design is reserved.
Prohibition of reproduction and communication without graphic artist's authorization.