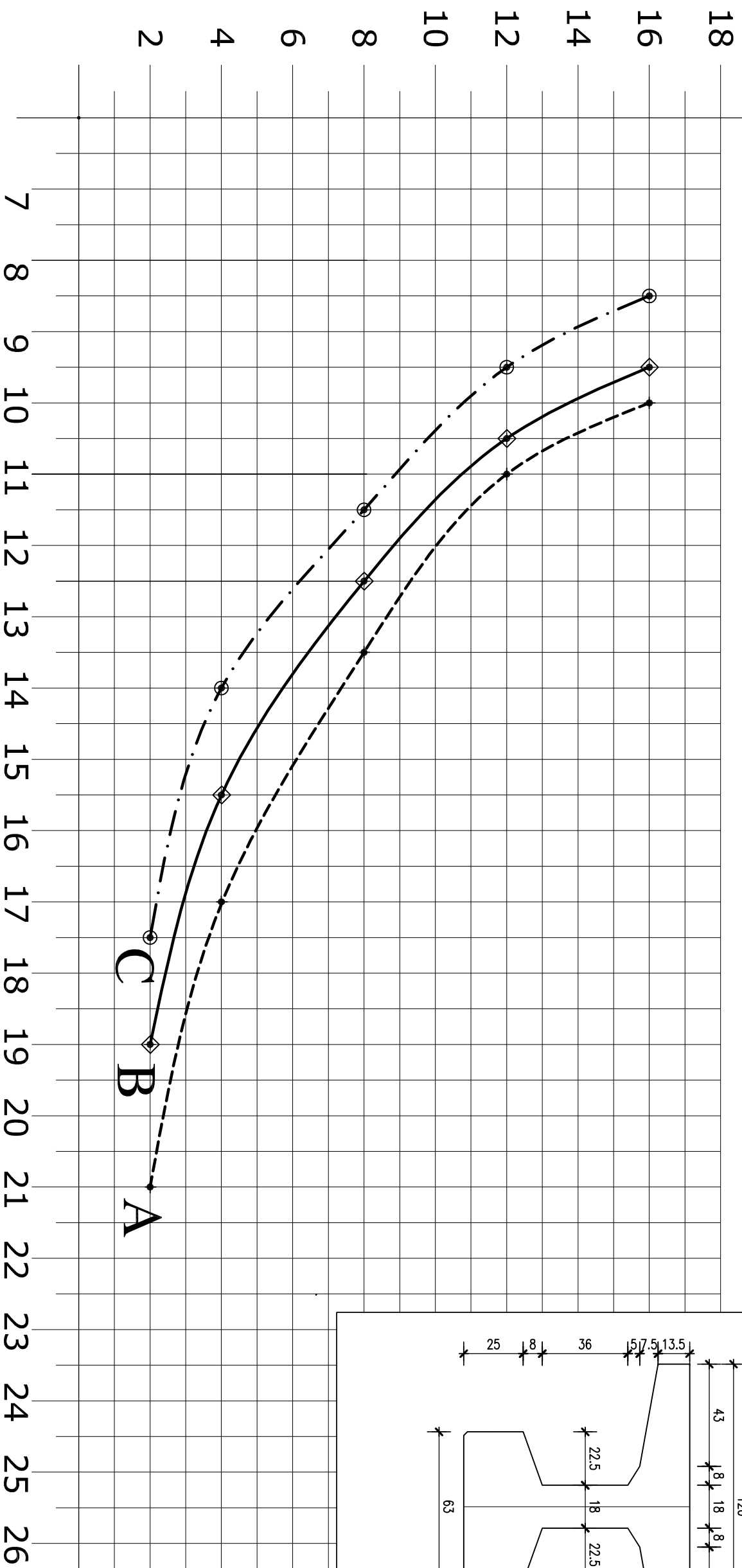
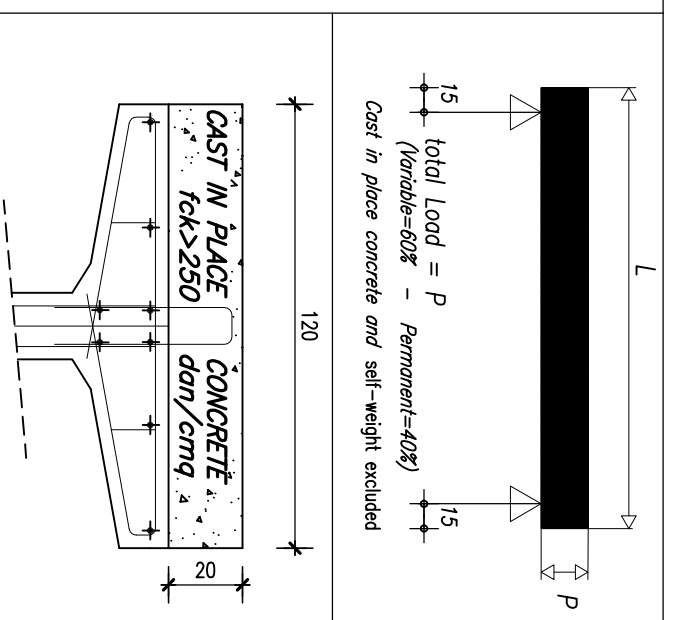
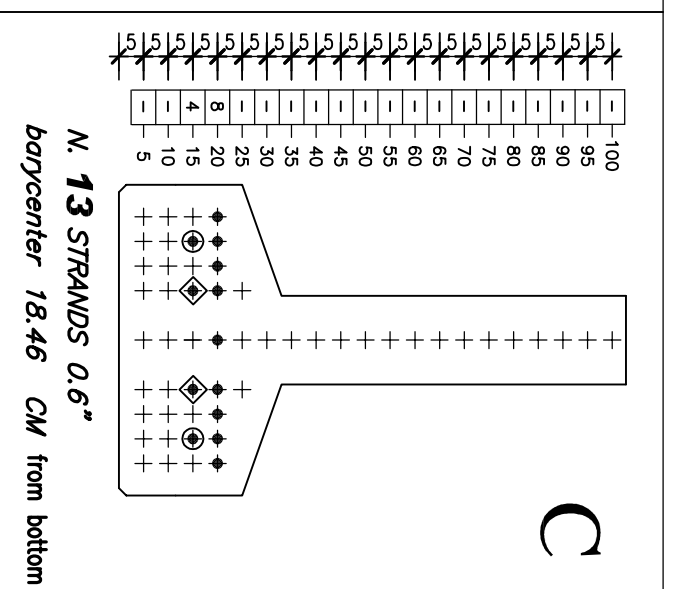
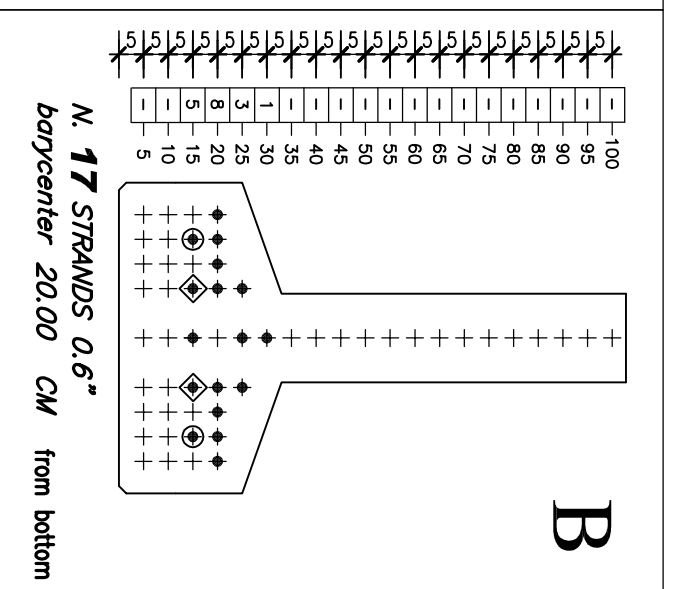
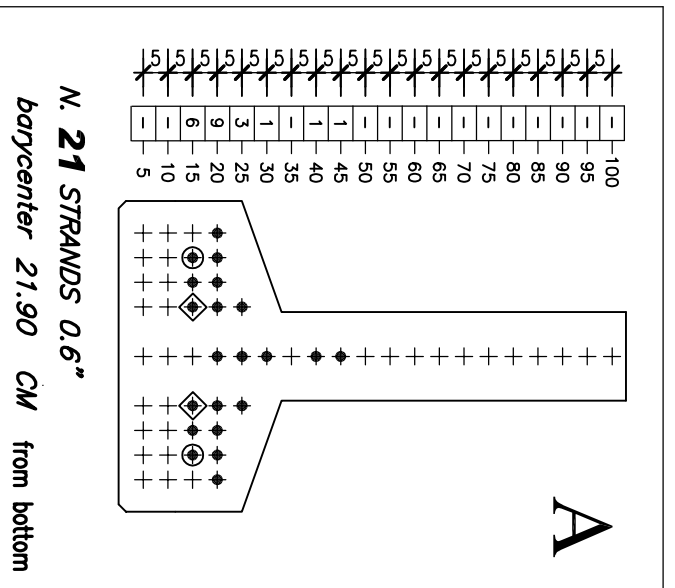
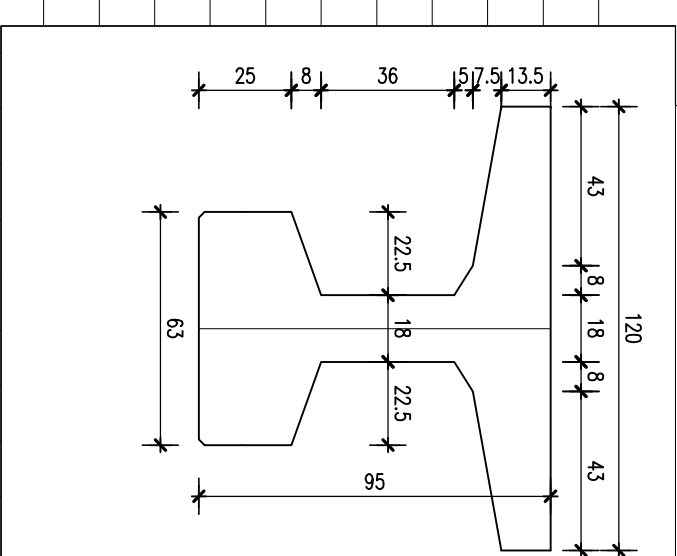


$t/m$  (total Load P)



### Beam Type 6



**ENGISOFT**  
DESIGNAZIONE q/6 (BS)  
(MKA) in englisch  
Merkmal: dan@engisoft.org

STANDARD PRESTRESSED  
CONCRETE GIRDERS

Object: **Beam Type 6**  
Beam Type Use  
N° JOB: **88(C2049)** PHASE: **Diagrams**

Date: 11-09-08  
Revisions: \_\_\_\_\_  
\_\_\_\_\_

According to the law the property of the present design is reserved.  
Prohibition of reproduction and communication without graphic artist's authorization.