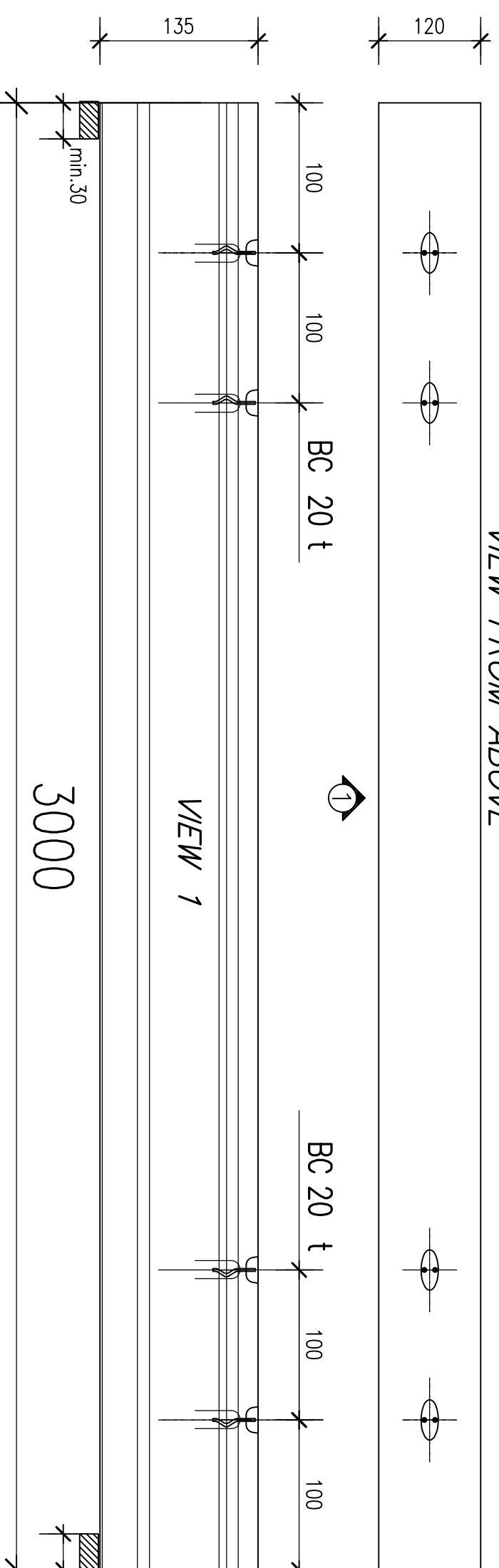
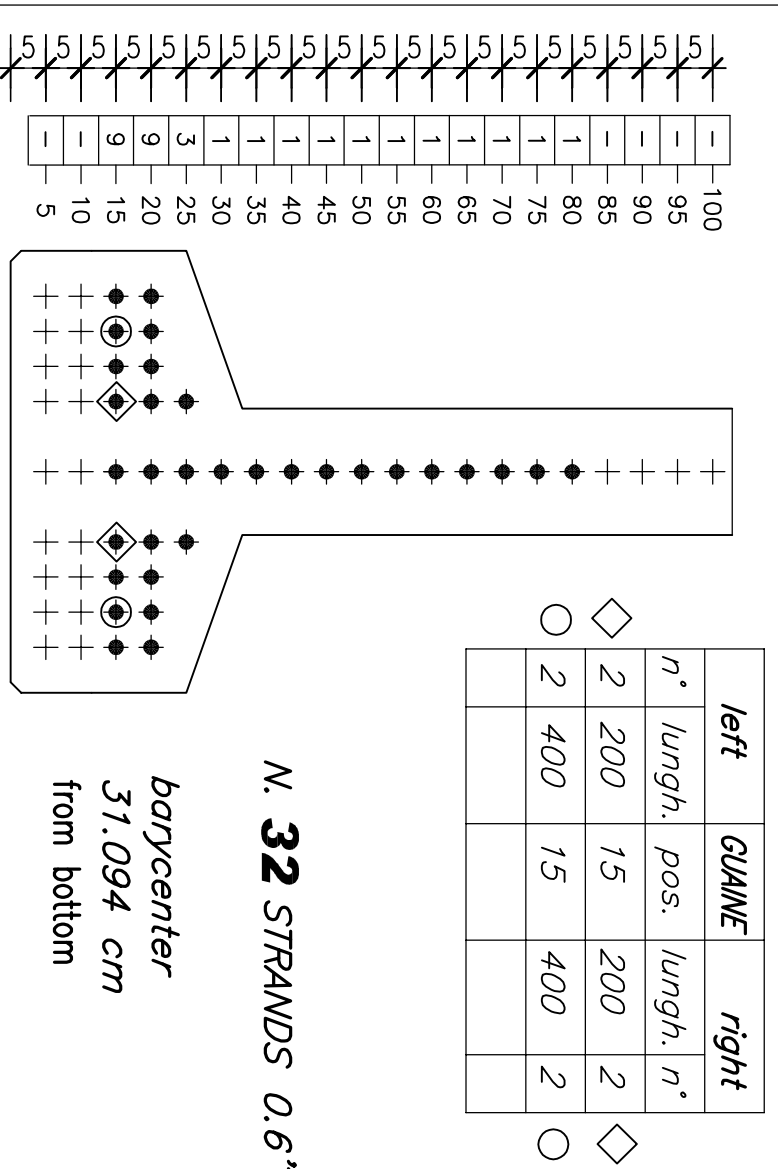


VIEW FROM ABOVE



DESIGNS OUTSIDE SCALE

LOADS

VARIABLE : 1200 daN/ml
PERMANENT : 800 daN/ml
TOTAL : 2000 daN/ml

Cost in place concrete , self-weight excluded

MATERIALS DATA

CONCRETE C45/55:
Minimum Charac. Cylinder Strength
fckj ≥ 330 daN/cm²
fck ≥ 450 daN/cm²
CONVENTIONAL REINFORCING BARS:
STEEL TYPE B450C
fyk >= 4500 daN/cm²
ftk >= 5400 daN/cm² A5>12%

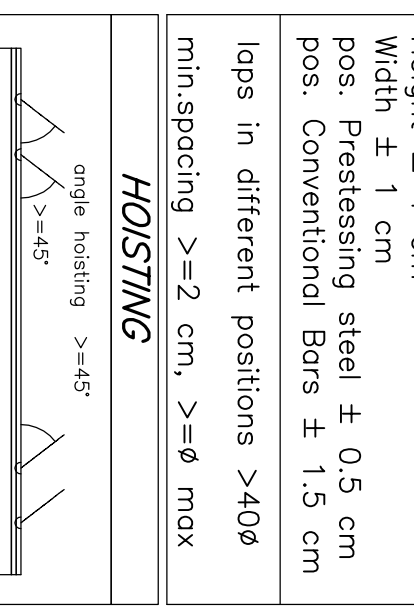
PRESTRESSING STEEL:

seven wire low relaxation strands
0.6 Diam.
Jack tension $\hat{\sigma}_{ap}$ =140350 daN/cm²
Jack Initial force=19500 daN (90.6)
fpk > 18600 daN/cm²
fp(1)k > 16700 daN/cm²
MIN COVER C= 3.5 cm
Exposure class= XD3

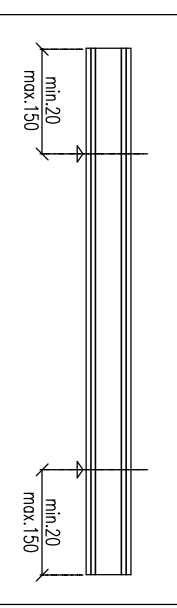
PRODUCTION DEVIATIONS

length +1/-2.5 cm (<20m) ; +1/-1/800cm (>20m)
Height ± 1 cm
Width ± 1 cm
pos. Prestressing steel ± 0.5 cm
pos. Conventional Bars ± 1.5 cm
laps in different positions >40φ
min.spacing >=2 cm, >=φ max

HOISTING



TRANSPORT - STORAGE



DESCRIPTION

BIANCHI CASSEFORME
FOOT EYE LIFTING ANCHORS
AXIAL NOM.CAP.LOAD f20 4

LIFTING EQUIPEMENT

Laps different positions 40φ

INITIAL BOW HEIGHT=-2.42cm
(POSITIVE ↓ in cm)

CONCRETE

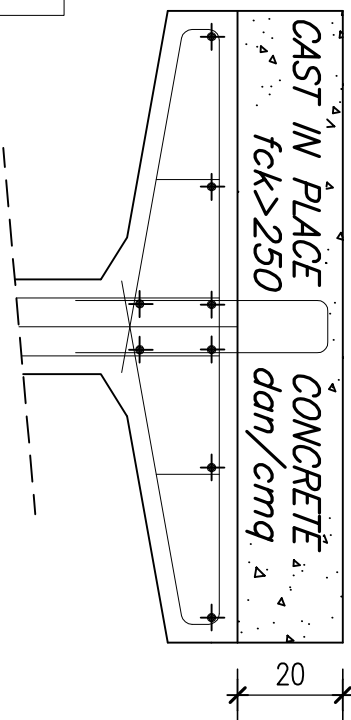
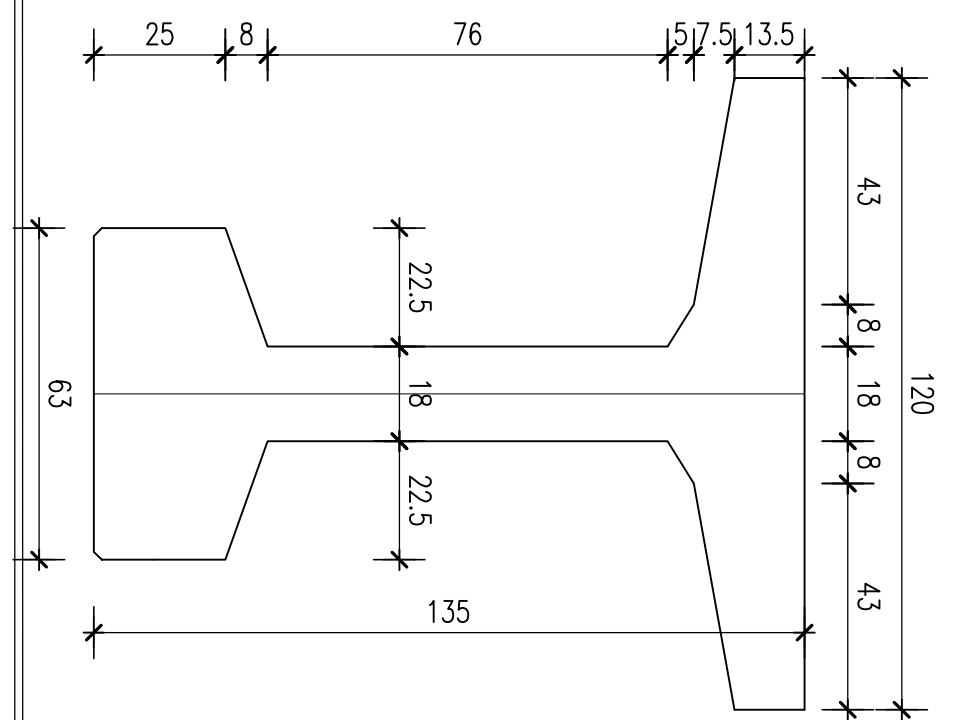
volume mc 16.75
Weight t 41.87

DESIGNZANO d/6 (65)
ENGISOFT (ITALY)
Web:www.engisoft.org
Mail:studio@engisoft.org

STANDARD PRESTRESSED CONCRETE GIRDERS

Object: Beam Type 8
Length 30 ml
N° JOB PHASE 88(C2049) Execution design

Beam Type 8



LENGTH cm.	Stirrups Type	φ	SPACING	N.
120	④ ① ③			2760
10	14	10	10	10
10	10	10	20	20
12	12	12	138	138
200				200
400				400
48				48
180				180
81				81
81				81
180				180
24				24
180				180
19				19

BC 20 t

n. 2 plastic ducts liv. 15

n. 2 plastic ducts liv. 15

n. 2 plastic ducts liv. 15

n. 2 plastic ducts liv. 15

① 6φ12 L=2994

② 10φ8

③ 2φ16

④ 4φ16

⑤ 1φ16

⑥ 4φ16

⑦ 1φ16

⑧ 5φ10

⑨ 1φ16

⑩ 4φ16

⑪ 2φ16

⑫ 1φ16

⑬ 5φ10

⑭ 1φ16

⑮ 4φ16

⑯ 1φ16

⑰ 4φ16

⑱ 1φ16

⑲ 4φ16

⑳ 1φ16

㉑ 4φ16

㉒ 1φ16

㉓ 4φ16

㉔ 1φ16

㉕ 4φ16

㉖ 1φ16

㉗ 4φ16

㉘ 1φ16

㉙ 4φ16

㉚ 1φ16

㉛ 4φ16

㉜ 1φ16

㉝ 4φ16

㉞ 1φ16

㉟ 4φ16

㊱ 1φ16

㊲ 4φ16

㊳ 1φ16

㊴ 4φ16

㊵ 1φ16

㊶ 4φ16

㊷ 1φ16

㊸ 4φ16

㊹ 1φ16

㊺ 4φ16

㊻ 1φ16

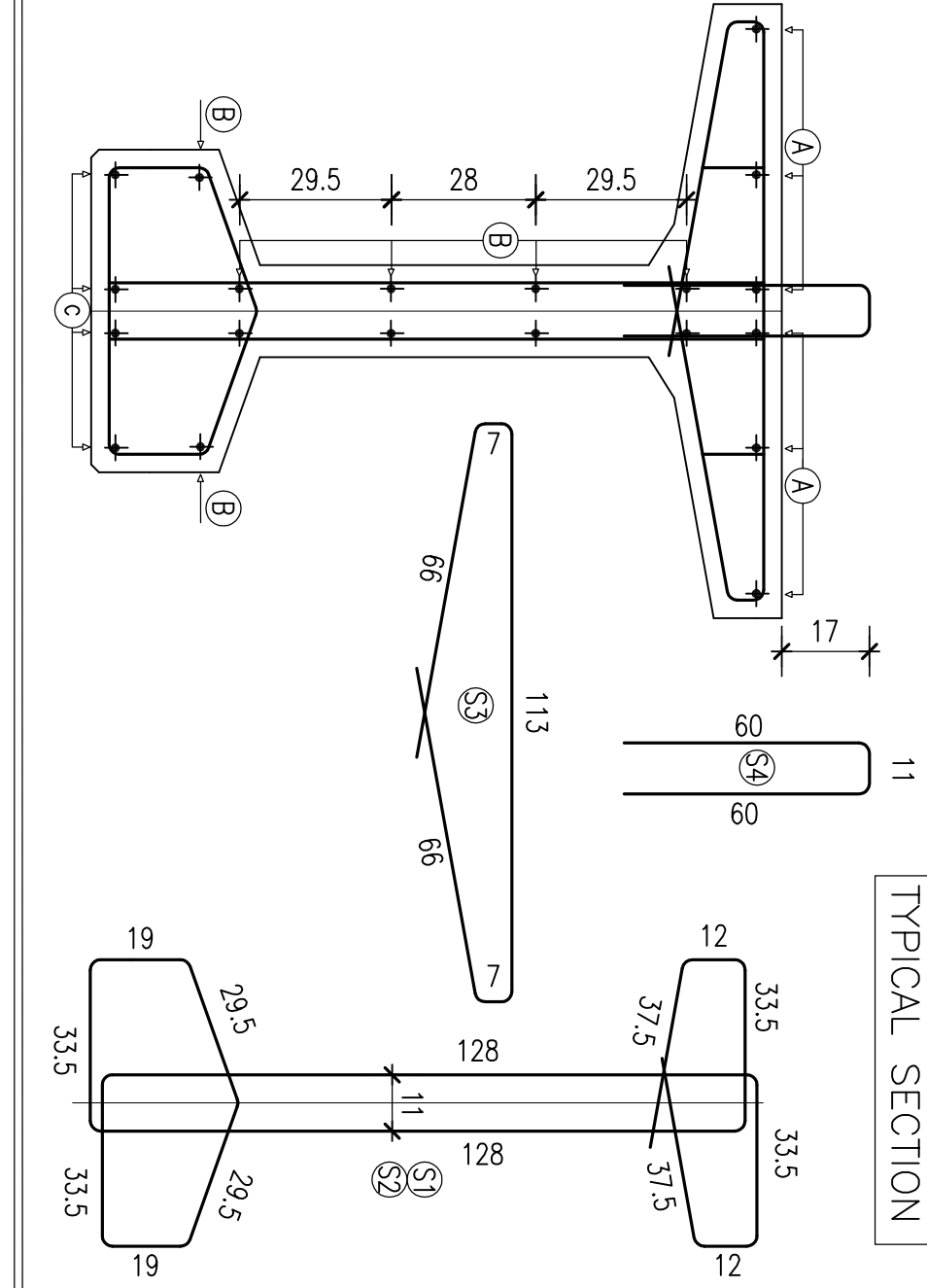
㊼ 4φ16

㊽ 1φ16

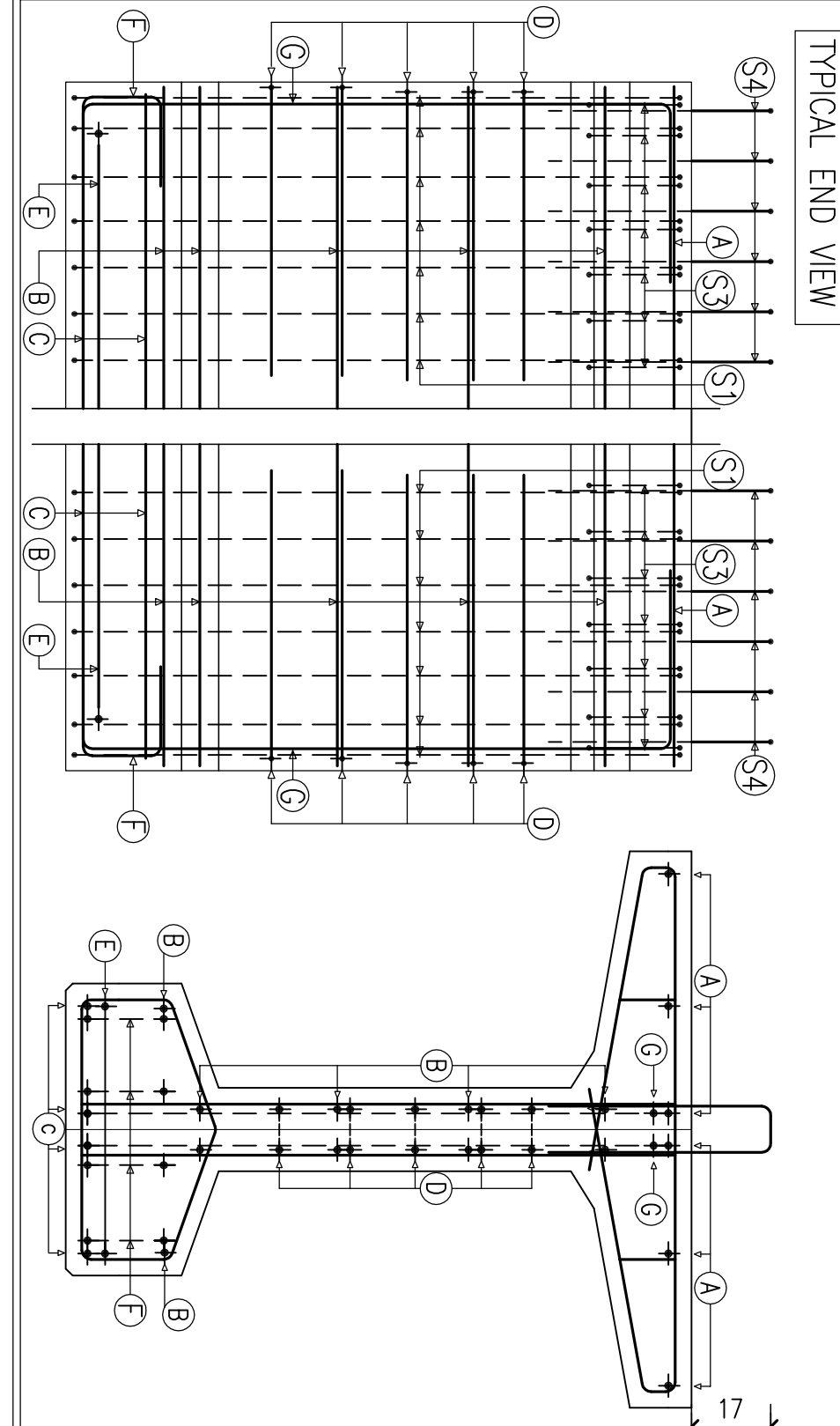
㊾ 4φ16

㊿ 1φ16

TYPICAL SECTION



TYPICAL END VIEW



Revisions: _____
Date: 11-06-08