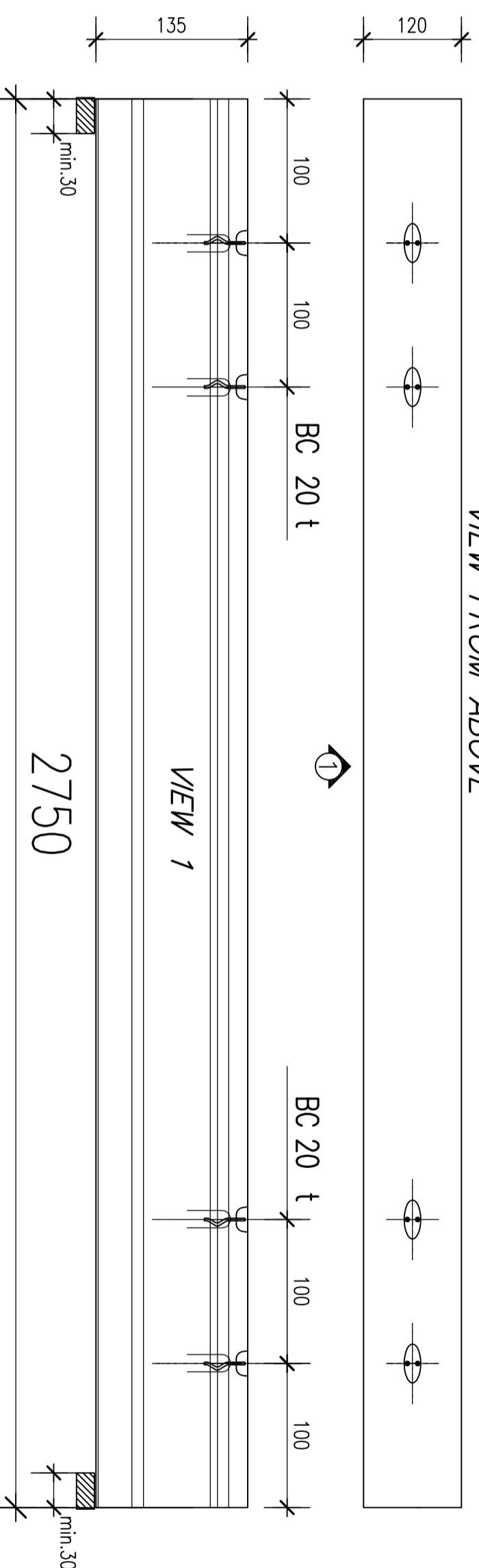
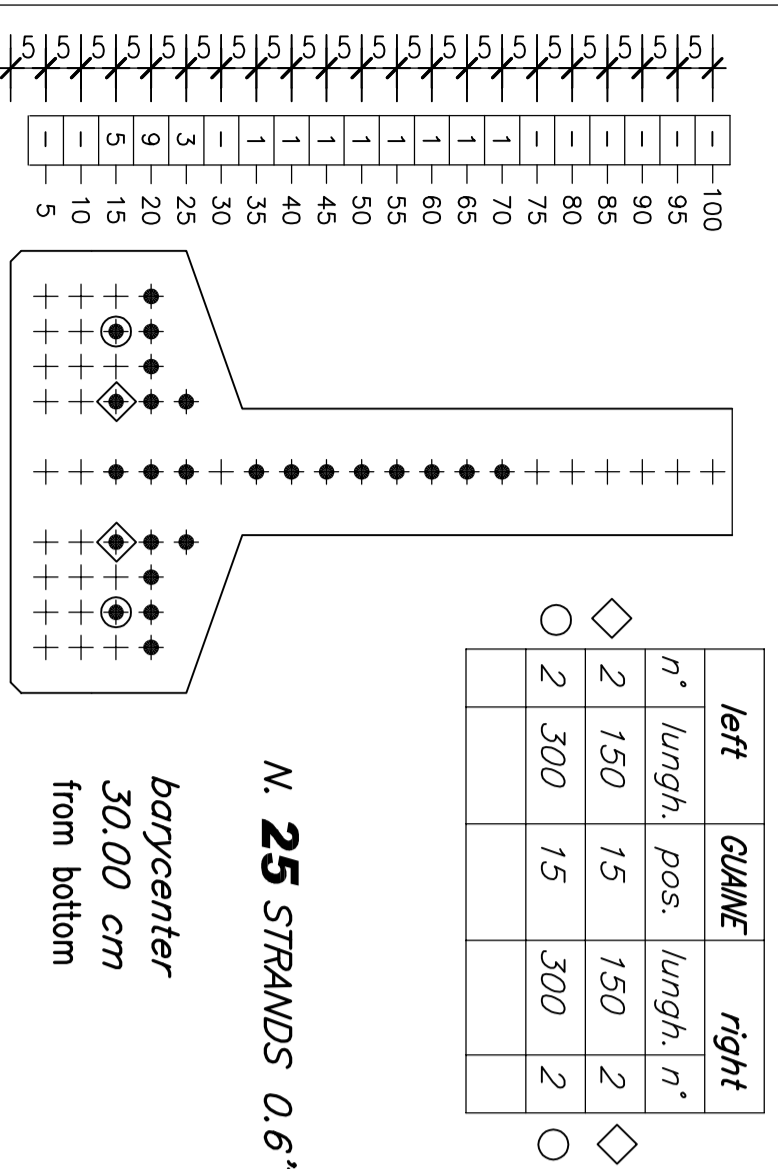


VIEW FROM ABOVE



DESIGNS OUTSIDE SCALE

LOADS

VARIABLE : 1200 daN/ml  
 PERMANENT : 800 daN/ml  
 TOTAL : 2000 daN/ml

MATERIALS DATA

CONCRETE C45/55:  
 Minimum Charac. Cylinder Strength  
 $f_{ck} \geq 330$  daN/cm<sup>2</sup>  
 $f_{ck} \geq 450$  daN/cm<sup>2</sup>  
 CONVENTIONAL REINFORCING BARS:  
 STEEL TYPE B450C  
 $f_{yk} \geq 4500$  daN/cm<sup>2</sup>  
 $f_{tk} \geq 5400$  daN/cm<sup>2</sup> A5>12%

PRESTRESSING STEEL:

seven wire low relaxation strands  
 0.6 Diam.  
 Jack tension  $\hat{\sigma}_{ap} = 140350$  daN/cm<sup>2</sup>  
 Jack Initial force = 19500 daN (90.6)  
 $f_{pk} > 18600$  daN/cm<sup>2</sup>  
 $f_{p(1)k} > 16700$  daN/cm<sup>2</sup>  
 MIN COVER C = 3.5 cm  
 Exposure class = XD3

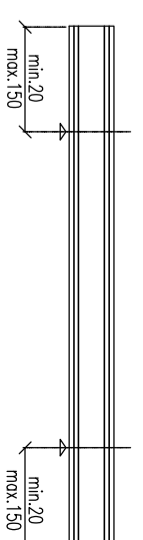
PRODUCTION DEVIATIONS

length  $+1/-2.5$  cm L<20m ;  $+1/-1/800$ cm L>20m  
 Height  $\pm 1$  cm  
 Width  $\pm 1$  cm  
 pos. Prestressing steel  $\pm 0.5$  cm  
 pos. Conventional Bars  $\pm 1.5$  cm  
 lops in different positions >40 $\phi$   
 min.spacing >=2 cm, >=0 max

HOISTING



TRANSPORT - STORAGE



DESCRIPTION

BIANCHI CASSEFORME  
 FOOT EYE LIFTING ANCHORS  
 AXIAL NOM.CAP.LOAD **I20** 4

LIFTING EQUIPEMENT

Lops different positions 40 $\phi$  40x $\phi$

INITIAL BOW HEIGHT = -1.71cm (POSITIVE  $\downarrow$  in cm)

CONCRETE

volume mc 15.35  
 Weight t 38.38

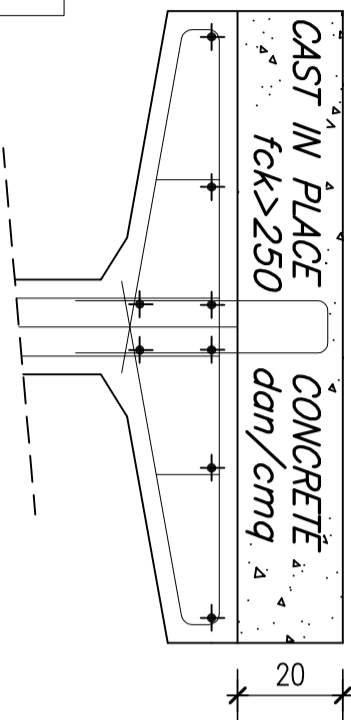
ENGISOFT (ITALY)

DESIGNAZIONE d/6 (65)  
 Web: www.engisoft.org  
 Mail: studi@engisoft.org

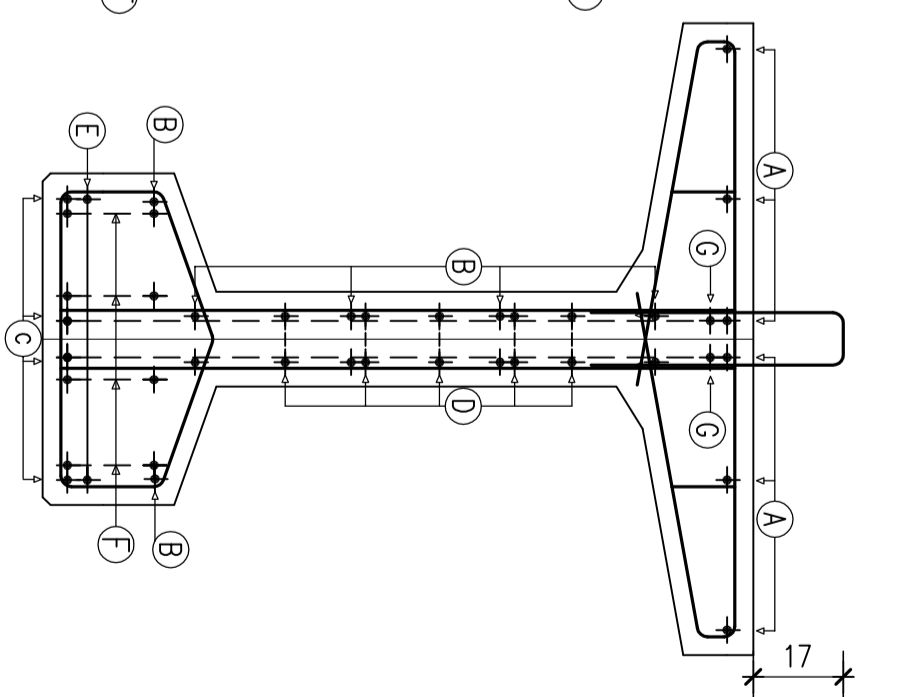
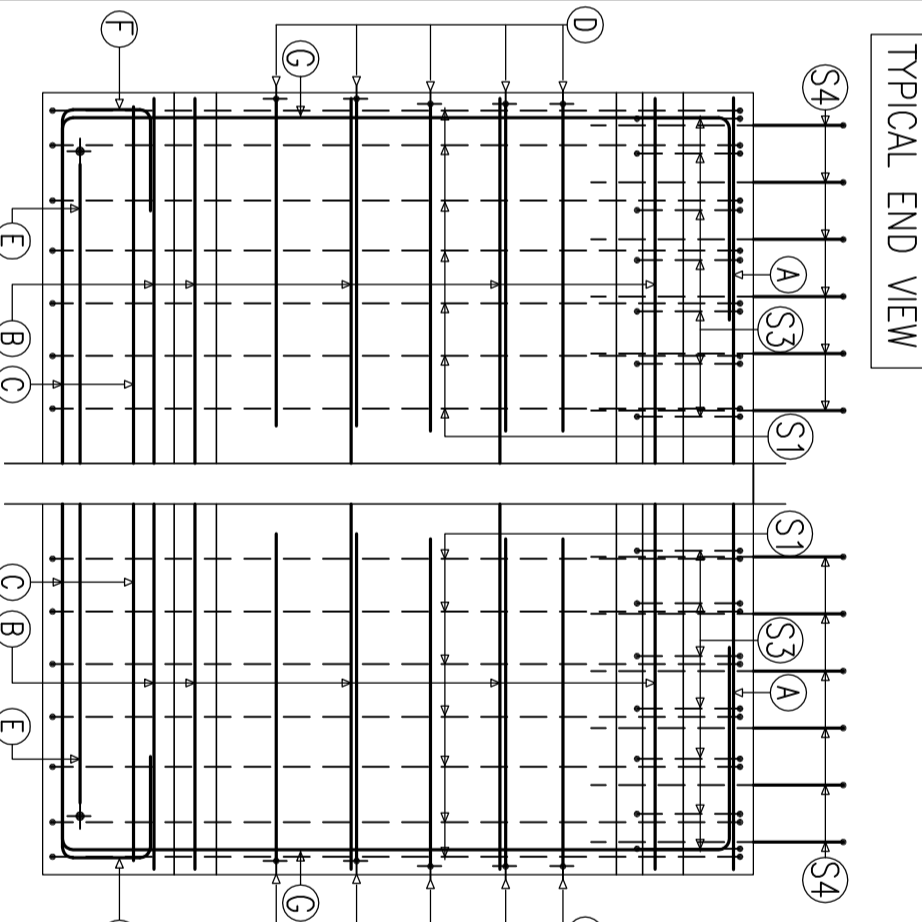
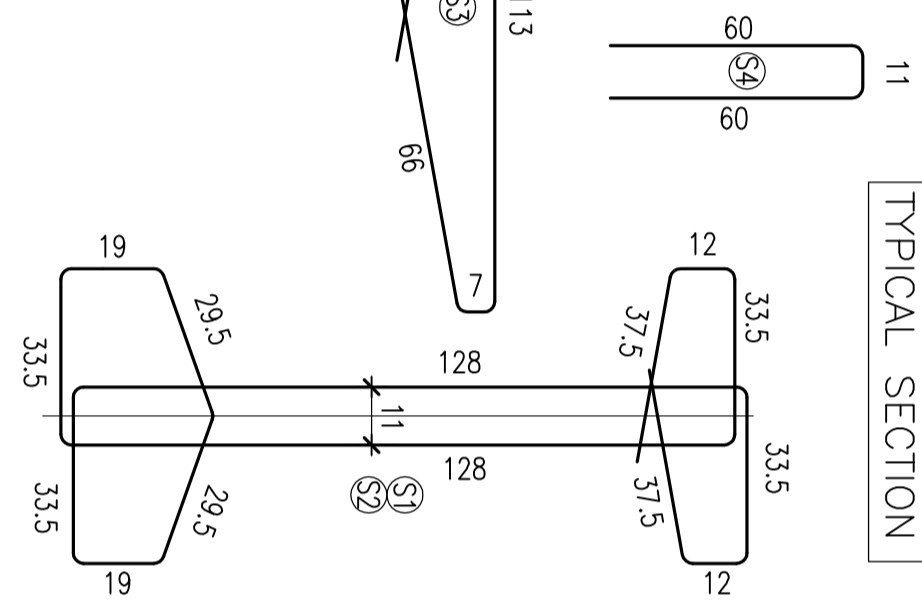
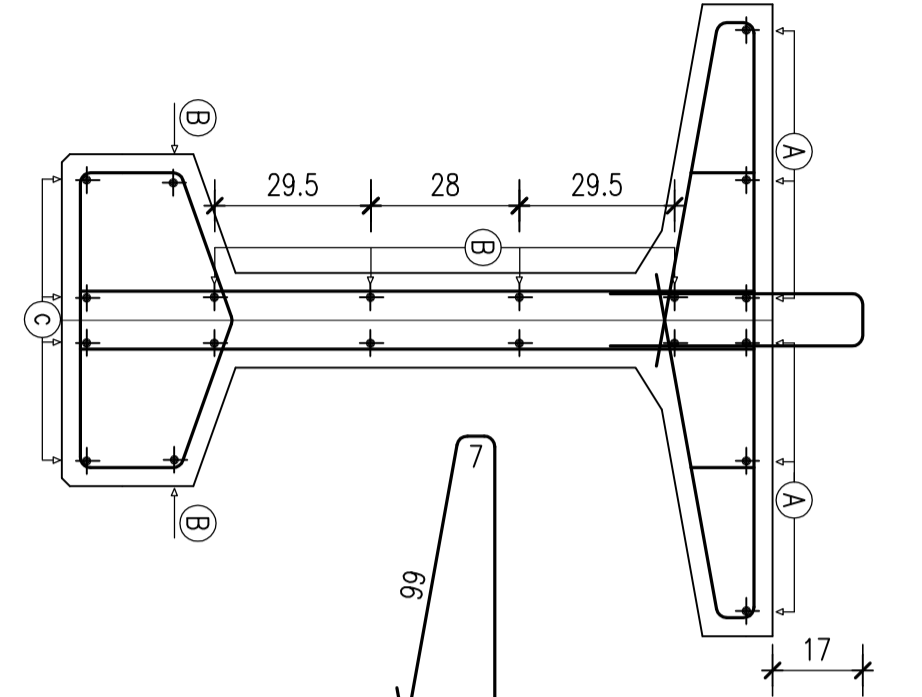
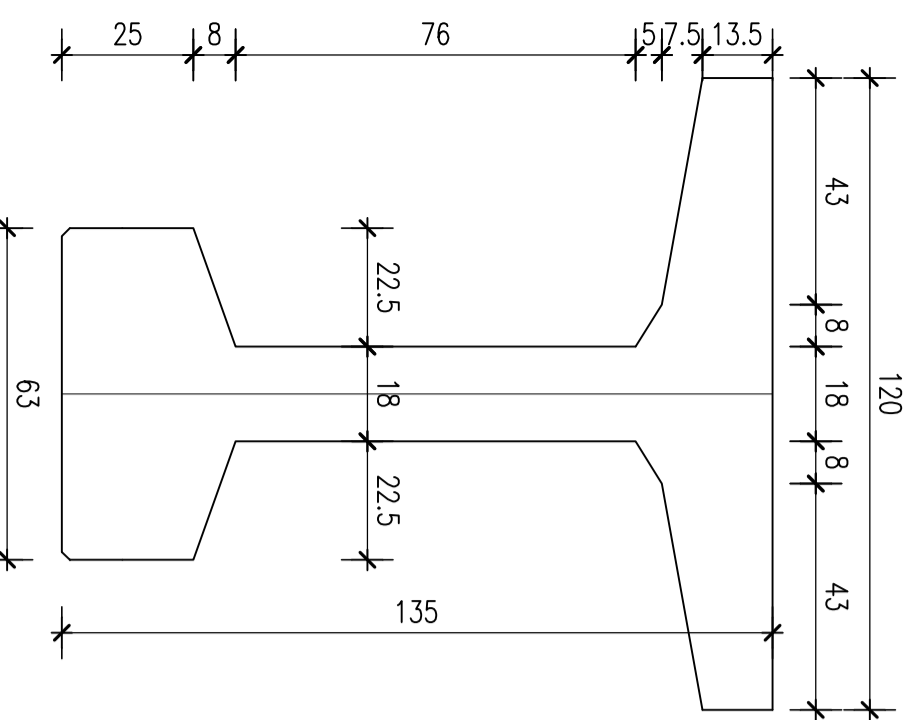
STANDARD PRESTRESSED CONCRETE GIRDERS  
 Date: 11-06-08  
 Revisions: ---

Object: Beam Type 8  
 Length 27.5 ml  
 N° JOB PHASE 88(C2049) Execution design

B450C			STIRRUPS B450C				
POS.	N°	Length	Weight	POS.	N°	Length	Weight
A	6	2744	102.1	S1	24	14	586
B	10	2744	108.2	S2	126	10	586
C	4	2744	67.6	S3	150	10	259
D	5+5	10	170	S4	150	10	131
E	1+1	14	410	S5			
F	4+4	16	220				
G	2+2	16	350				
H	-	-	-				
I	-	-	-				
				WEIGHT B50C ddN		1333.5	



Beam Type 8



ENGISOFT (ITALY)

DESIGNAZIONE d/6 (65)  
 Web: www.engisoft.org  
 Mail: studi@engisoft.org

STANDARD PRESTRESSED CONCRETE GIRDERS  
 Date: 11-06-08  
 Revisions: ---

Object: Beam Type 8  
 Length 27.5 ml  
 N° JOB PHASE 88(C2049) Execution design