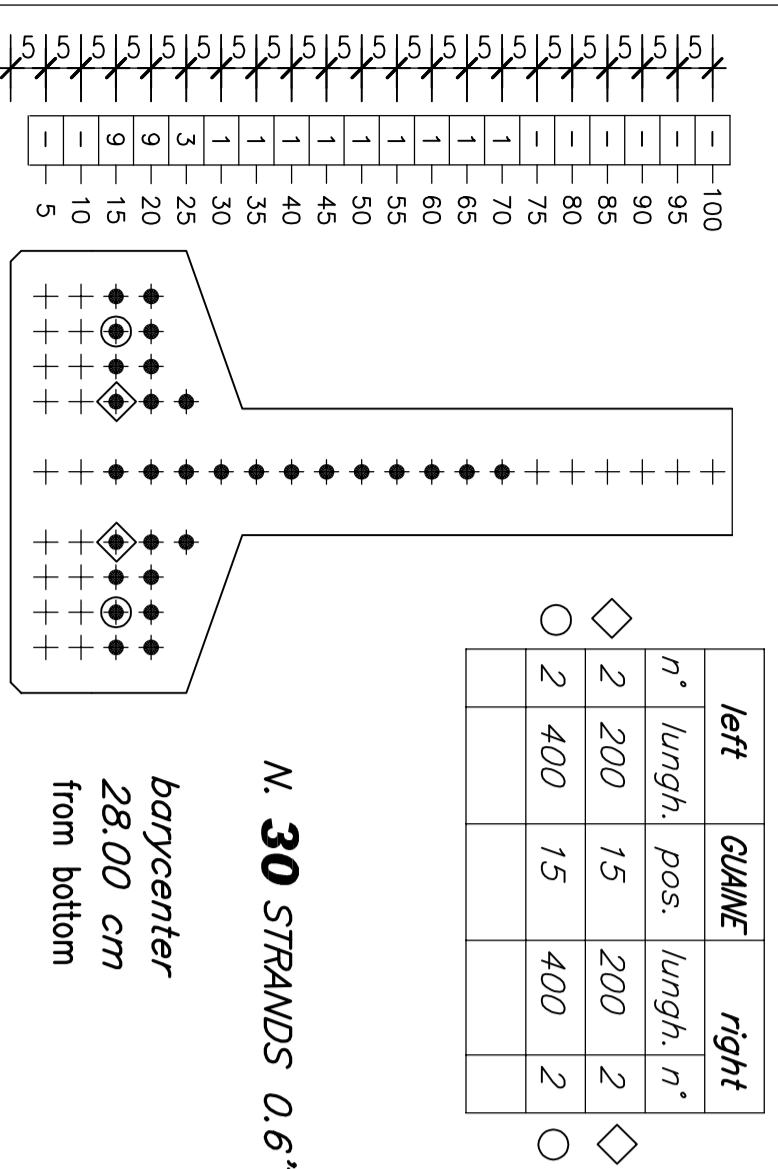


VIEW FROM ABOVE



DESIGNS OUTSIDE SCALE

LOADS

VARIABLE	: 1200	daN/ml
PERMANENT	: 800	daN/ml
TOTAL	: 2000	daN/ml

Cost in place concrete, self-weight excluded

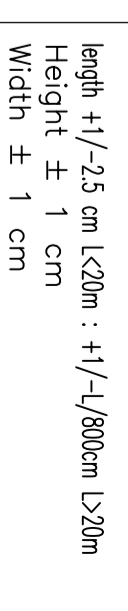
MATERIALS DATA

CONCRETE C45/55:
 Minimum Charac. Cylinder Strength
 $f_{ckj} \geq 330$ daN/cm²
 $f_{ck} \geq 450$ daN/cm²
 CONVENTIONAL REINFORCING BARS:
 STEEL TYPE B450C
 $f_{yk} \geq 4500$ daN/cm²
 $f_{tk} \geq 5400$ daN/cm²
 PRESTRESSING STEEL:
 seven wire low relaxation strands
 0.6 Diam.
 Jack tension $\sigma_{ap} = 140350$ daN/cm²
 Jack Initial force = 19500 daN (90.6)
 $f_{pk} > 18600$ daN/cm²
 $f_{p(1)k} > 16700$ daN/cm²
 MIN COVER C = 3.5 cm
 Exposure class = XD3

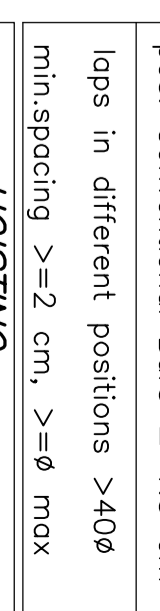
PRODUCTION DEVIATIONS

length $\pm 1/-2.5$ cm ≤ 20 m ; $\pm 1/-1/800$ cm ≥ 20 m
 Height ± 1 cm
 Width ± 1 cm
 pos. Prestressing steel ± 0.5 cm
 pos. Conventional Bars ± 1.5 cm
 laps in different positions $> 40\phi$
 min.spacing $> = 2$ cm, $> = \phi$ max

HOISTING



TRANSPORT - STORAGE



LIFTING EQUIPEMENT

DESCRIPTION	N.
BLANCHI CASSEFORME	
FOOT EYE LIFTING ANCHORS	
AXIAL NOM.CAP.LOAD	120
	4

INITIAL BOW HEIGHT = -2.46cm (POSITIVE ↓ in cm)

CONCRETE

volume mc 13.58
 Weight t 33.95

ENGISOFT (ITALY)

DESIGNAZIONE d/G (65)
 Web: www.engisoft.org
 Mail: studi@engisoft.org

STANDARD PRESTRESSED CONCRETE GIRDERS

Date:	11-09-08
Revisions:	

Beam Type 7

Length 26 ml

88(C2049) Execution design

Project: STANDARD PRESTRESSED CONCRETE GIRDERS

Phase: Execution design

Job No: 88(C2049)

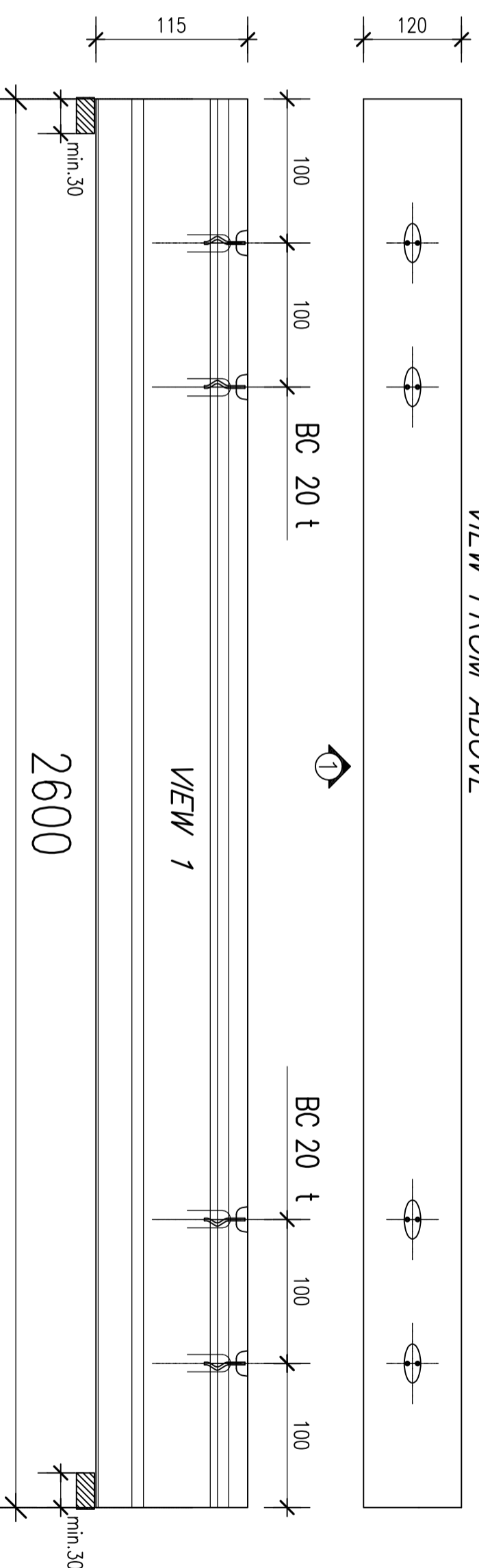
Author: [Redacted]

Check: [Redacted]

Approval: [Redacted]

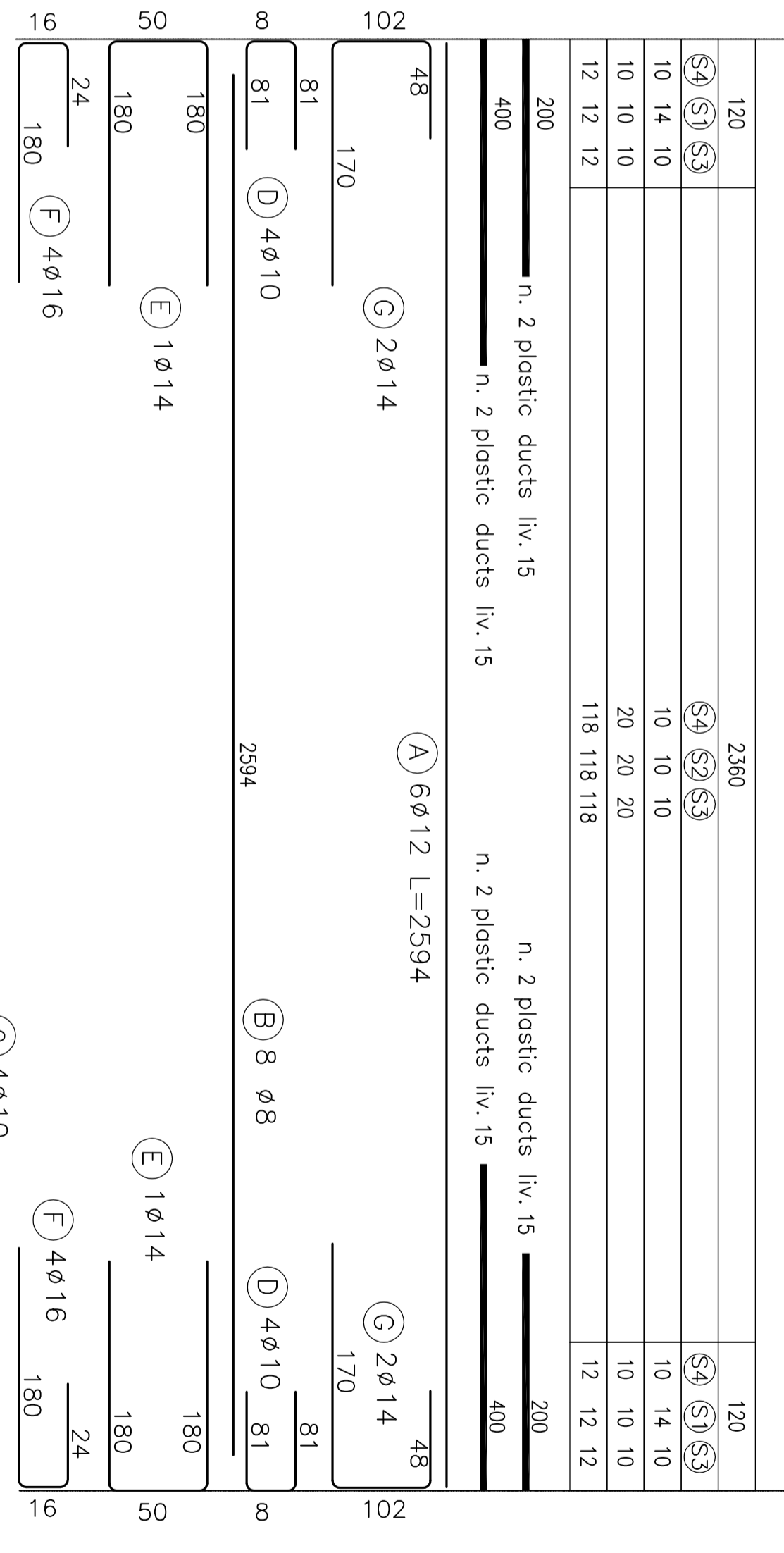
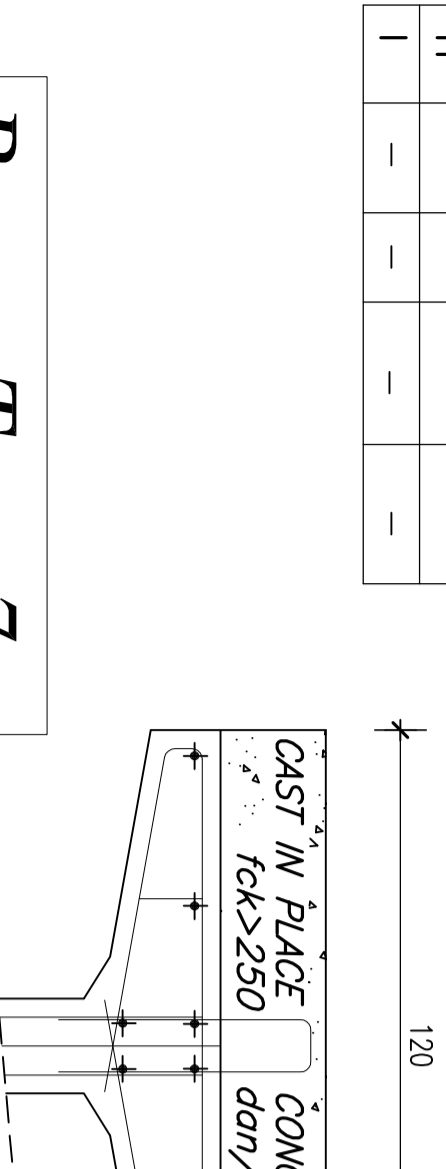
Scale: 1:1

Date: 11-09-08



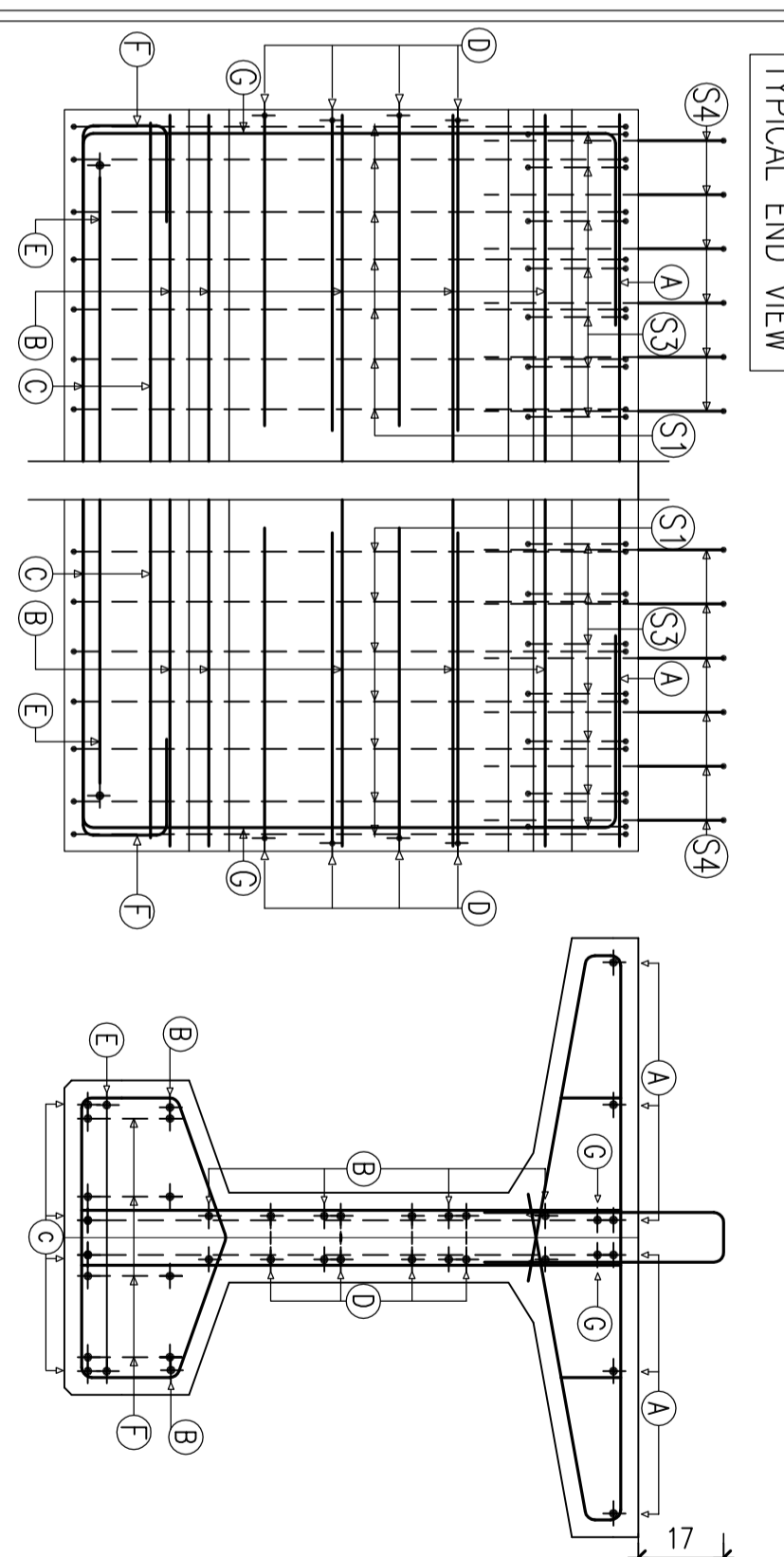
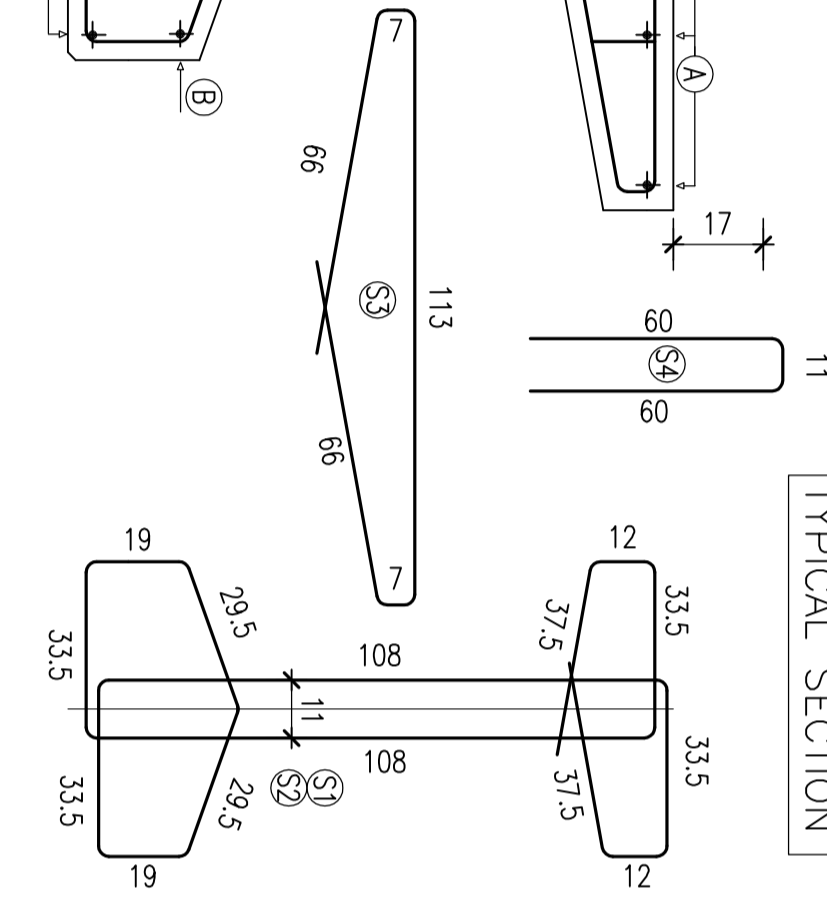
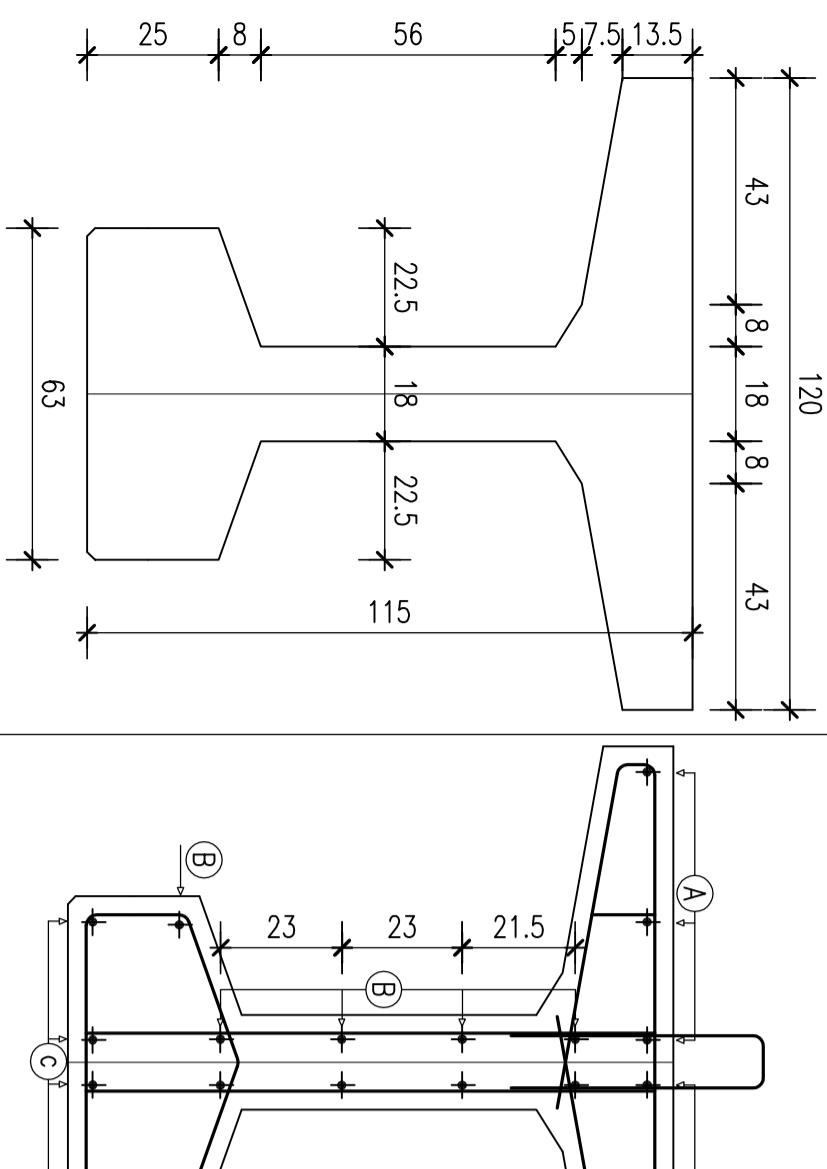
B450C				STIRRUPS B450C			
POS.	N°	Length	Weight	POS.	N°	Length	Weight
A	6	2594	138.1	S1	24	14	546
B	8	2594	81.8	S2	118	10	546
C	4	2594	63.9	S3	142	10	259
D	4+4	10	170	S4	142	10	131
E	1+1	14	410	S5			
F	4+4	16	220				
G	2+2	14	320				
H							
I							
				WEIGHT B50c daN 1241.8			

LENGTH cm.	
Stirrups Type	
Ø	
SPACING	
N.	

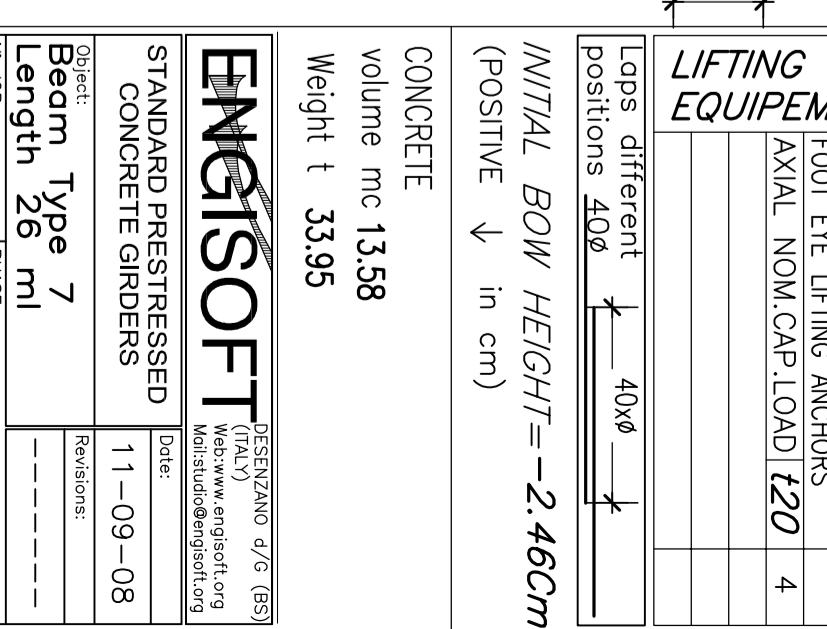


TYPICAL SECTION

TYPICAL END VIEW



TYPICAL END VIEW



TYPICAL SECTION

Project: STANDARD PRESTRESSED CONCRETE GIRDERS

Phase: Execution design

Job No: 88(C2049)

Author: [Redacted]

Check: [Redacted]

Approval: [Redacted]

Scale: 1:1

Date: 11-09-08

Beam Type 7

Length 26 ml

88(C2049) Execution design

Project: STANDARD PRESTRESSED CONCRETE GIRDERS

Phase: Execution design

Job No: 88(C2049)

Author: [Redacted]

Check: [Redacted]

Approval: [Redacted]

Scale: 1:1

Date: 11-09-08

Beam Type 7

Length 26 ml

88(C2049) Execution design