

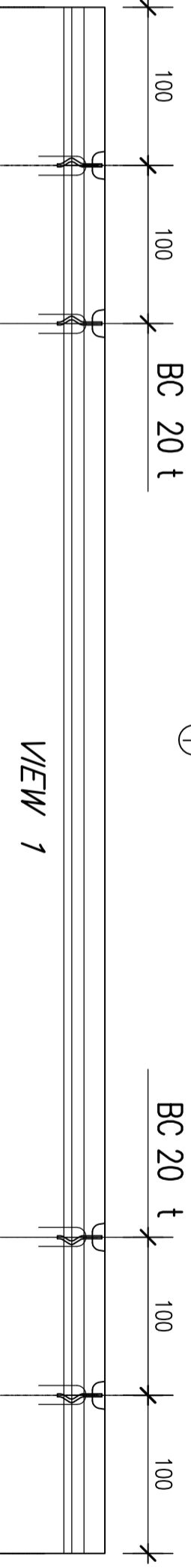
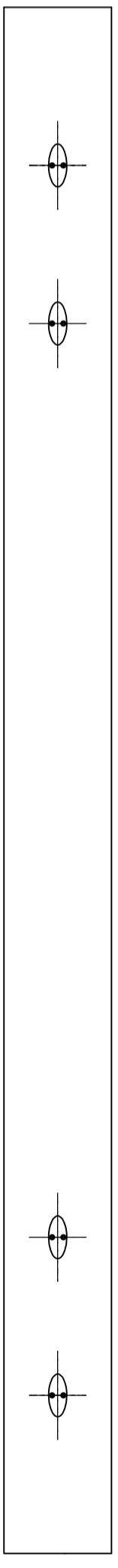
VIEW FROM ABOVE

left	QUANT	right
n°	lunght. pos.	lunght. n°
2	175	175
2	350	15
		350
		2

N. **24 STRANDS 0.6"**

barycenter
26.04 cm
from bottom

WEIGHT STRANDS DdN 629



LENGTH cm.
Stirrups Type
∅
SPACING
N.

120	S4 S1 S3	S4 S2 S3	S4 S1 S3	120
10 14 10		10 10 10		10 14 10
10 10 10		20 20 20		10 10 10
12 12 12		108 108 108		12 12 12
175	n. 2 plastic ducts liv. 15	n. 2 plastic ducts liv. 15	n. 2 plastic ducts liv. 15	175
350	n. 2 plastic ducts liv. 15	n. 2 plastic ducts liv. 15	n. 2 plastic ducts liv. 15	350
48		A 6∅12 L=2394		48
170				170
81		B 8 ∅8		81
81	D 4∅10		D 4∅10	81
180				180
180	E 1∅14		E 1∅14	180
24				24
180	F 4∅16		F 4∅16	180
9				9

DESIGNS OUTSIDE SCALE

LOADS

VARIABLE : 1200 daN/ml
PERMANENT : 800 daN/ml
TOTAL : 2000 daN/ml

Cost in place concrete , self-weight excluded

MATERIALS DATA

CONCRETE C45/55:
Minimum Charac. Cylinder Strength
fckj ≥ 330 daN/cm²
fck ≥ 450 daN/cm²
CONVENTIONAL REINFORCING BARS:
STEEL TYPE B450C
fyk >= 4500 daN/cm²
ftk >= 5400 daN/cm² A5>12%

PRESTRESSING STEEL:

seven Wire low relaxation strands
0.6 Diam.
Jack tension ∅ ap.=140350 daN/cm²
Jack Initial force=19500 daN (∅0.6)

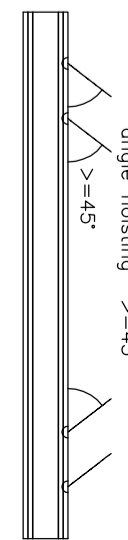
fptk > 18600 daN/cm²
fp(1)k > 16700 daN/cm²

MIN COVER C= 3.5 cm
Exposure class= XD3

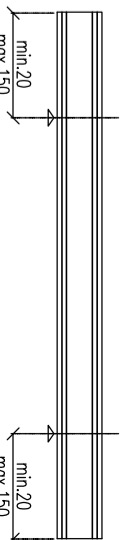
PRODUCTION DEVIATIONS

length +1/-2.5 cm L<20m ; +1/-L/800cm L>20m
Height ± 1 cm
Width ± 1 cm
pos. Prestressing steel ± 0.5 cm
pos. Conventional Bars ± 1.5 cm
laps in different positions >40∅
min.spacing >=2 cm, >=∅ max

HOISTING



TRANSPORT - STORAGE



DESCRIPTION

BIANCHI CASSEFORME
FOOT EYE LIFTING ANCHORS
AXIAL NOM.CAP.LOAD **120**

LIFTING EQUIPEMENT

Laps different positions 40∅
40x∅

INITIAL BOW HEIGHT = -1.83cm
(POSITIVE ↓ in cm)

CONCRETE
volume mc 12.53
Weight t 31.33

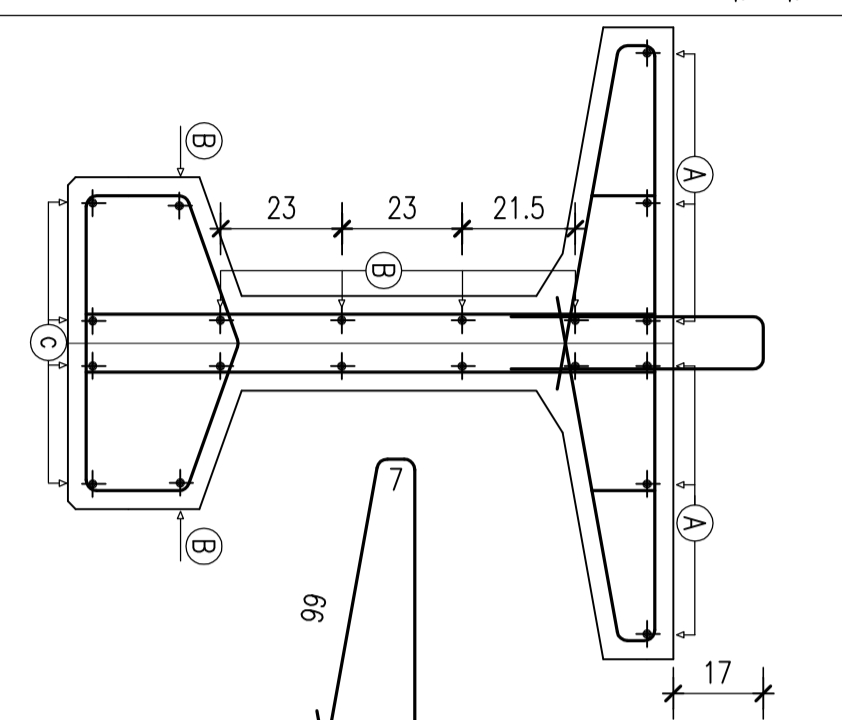
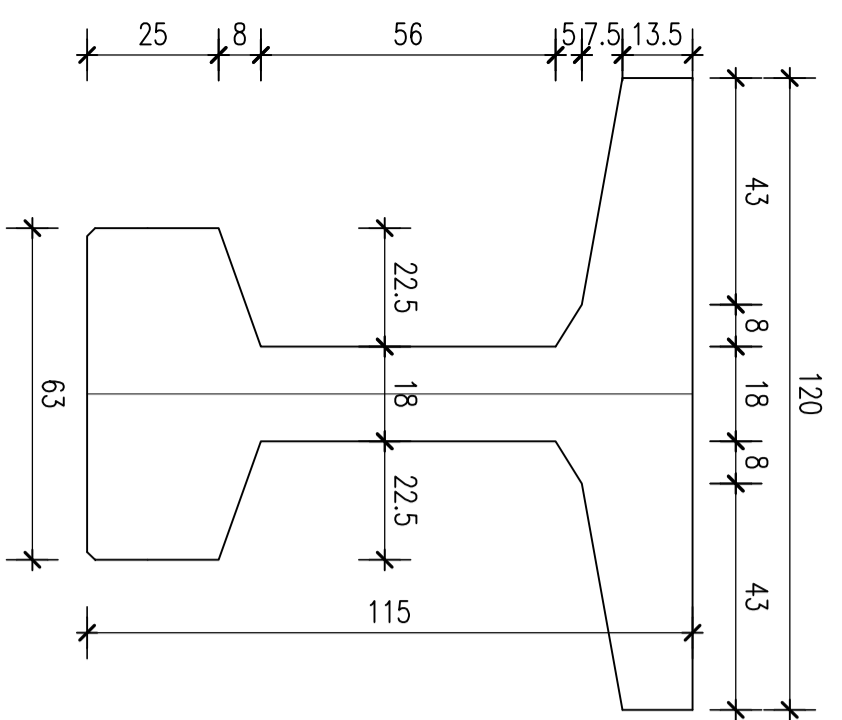
ENGISOFT (ITALY)
DESIGNAZIONE d/G (65)
Web: www.engisoft.org
Mail: studi@engisoft.org

STANDARD PRESTRESSED CONCRETE GIRDERS

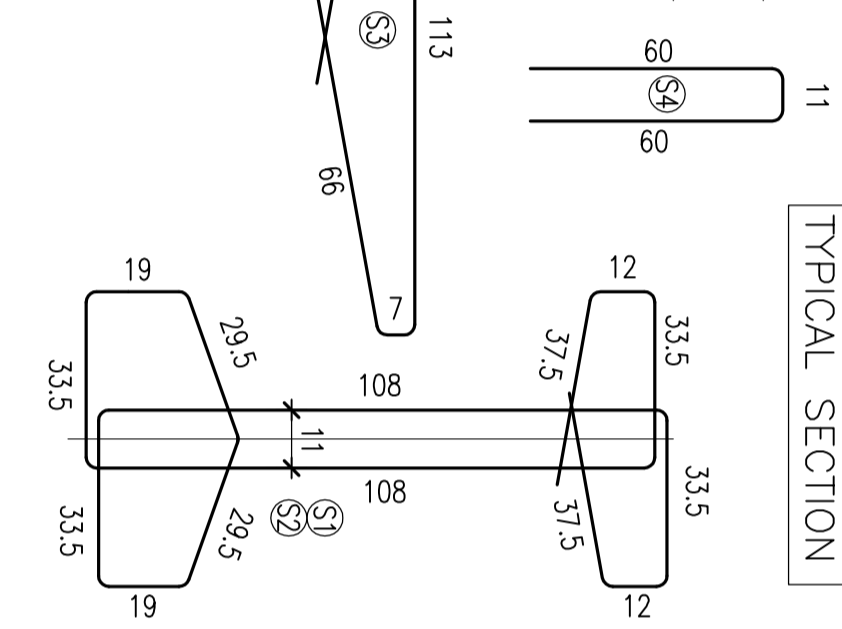
Object: Beam Type 7
N° JOB 88(C2049) Execution design

PHASE 11-09-08
Revisions:

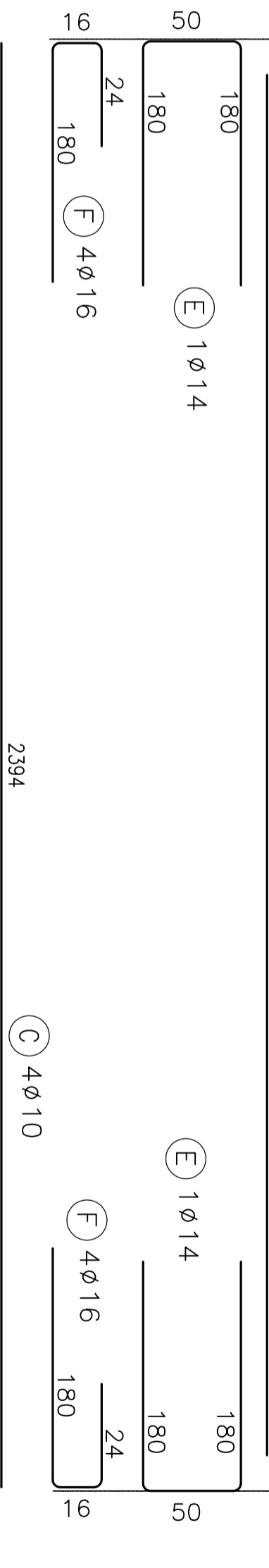
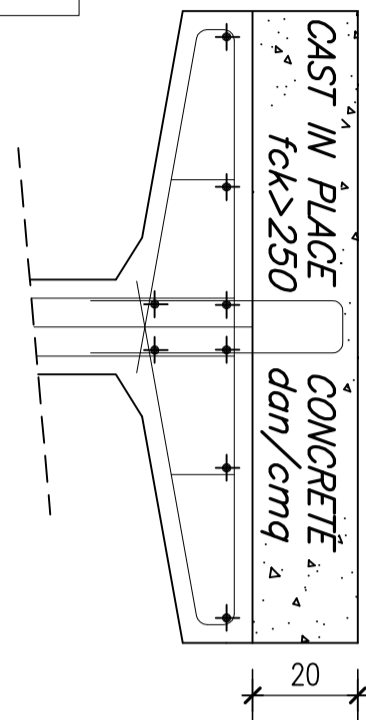
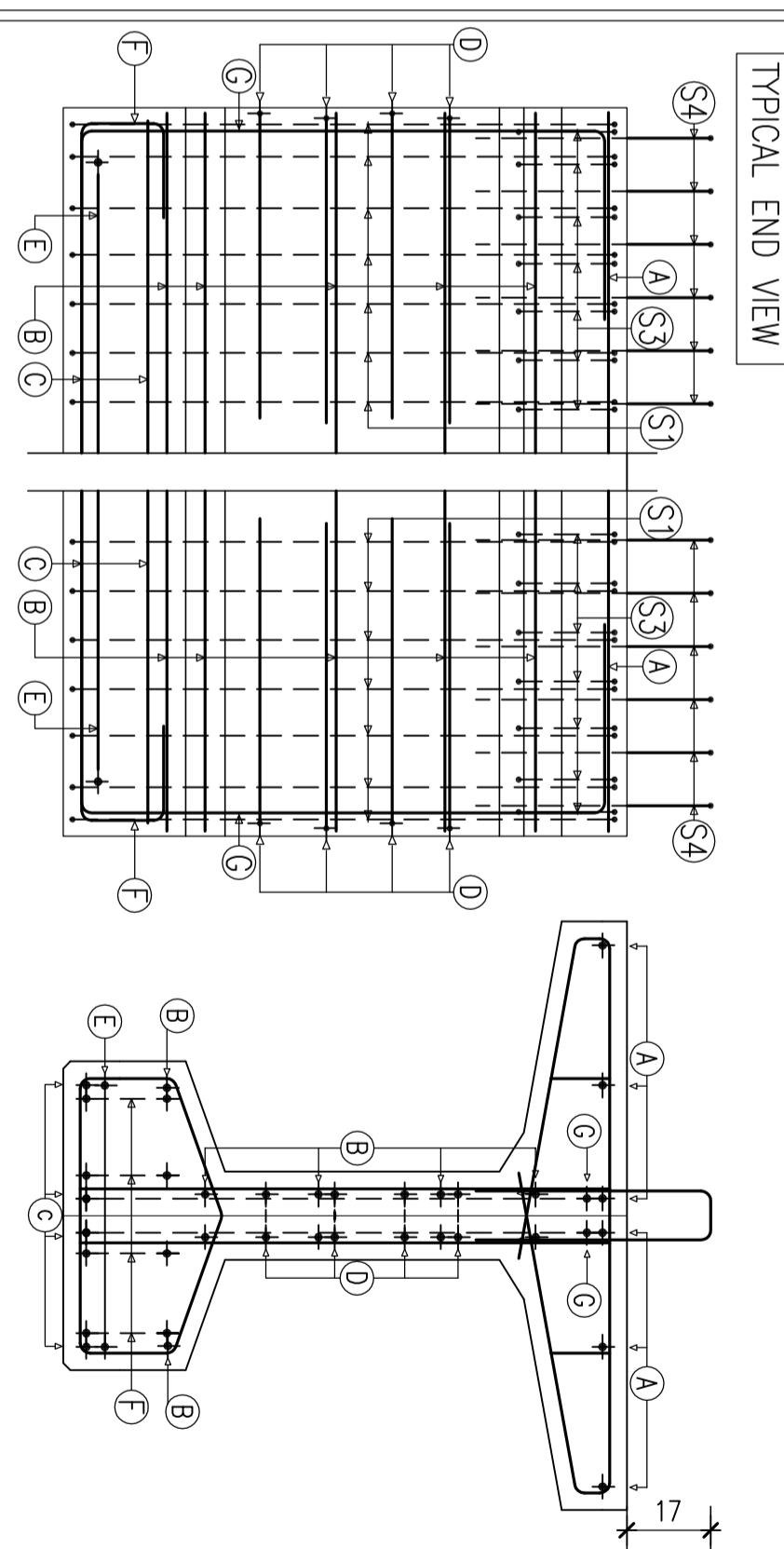
Beam Type 7



TYPICAL SECTION



TYPICAL END VIEW



Production of reproduction and communication without permission written authorization.