

left	GUAME	right
n°	lunght. pos.	lunght. n°
2	100 15 100	2
2	200 15 200	2

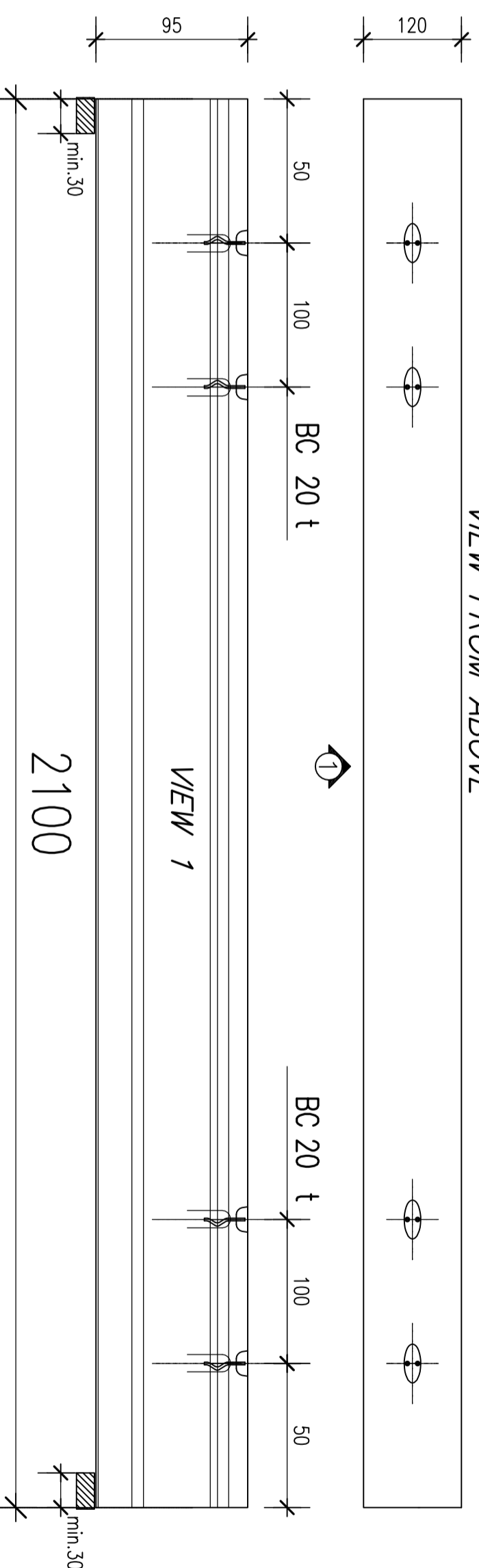
N. **21 STRANDS 0.6"**
 barycenter
21.90 CM
 from bottom

WEIGHT STRANDS Ddn 481

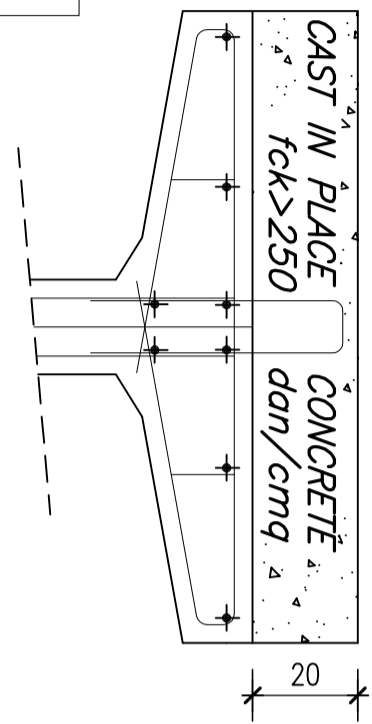
B450C				STIRRUPS B450C			
POS.	N°	Length	Weight	POS.	N°	Length	Weight
A	6	2094	77.91	S1	18	14	506
B	8	2094	66.1	S2	96	10	506
C	4	10	2094	S3	114	10	259
D	3+3	10	170	S4	114	10	131
E	1+1	14	330	S5			
F	4+4	14	180	WEIGHT B50C ddn			
G	2+2	14	270	923.5			
H							
I							

LENGTH cm.	90
Stirrups Type	S4 S1 S3
Ø	10 14 10
SPACING	10 10 10
N.	9 9 9

VIEW FROM ABOVE

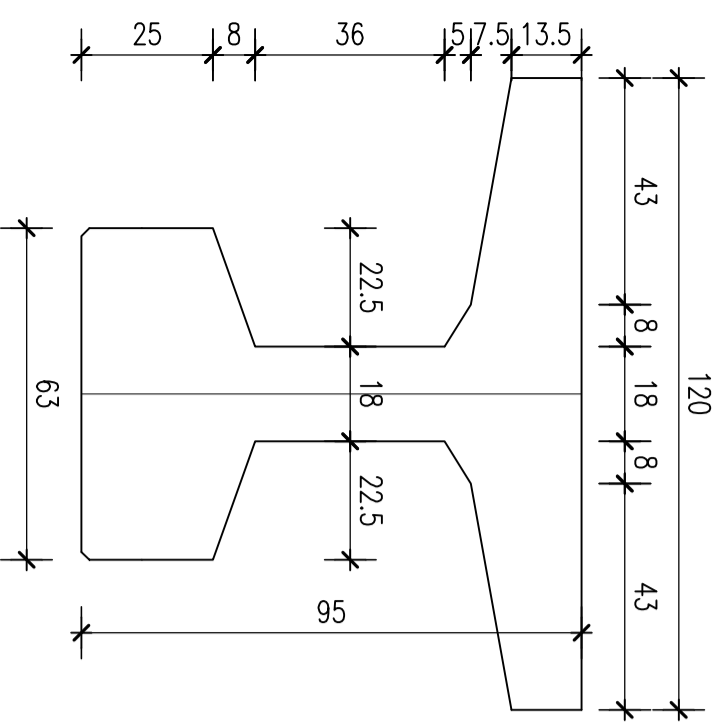


VIEW 1

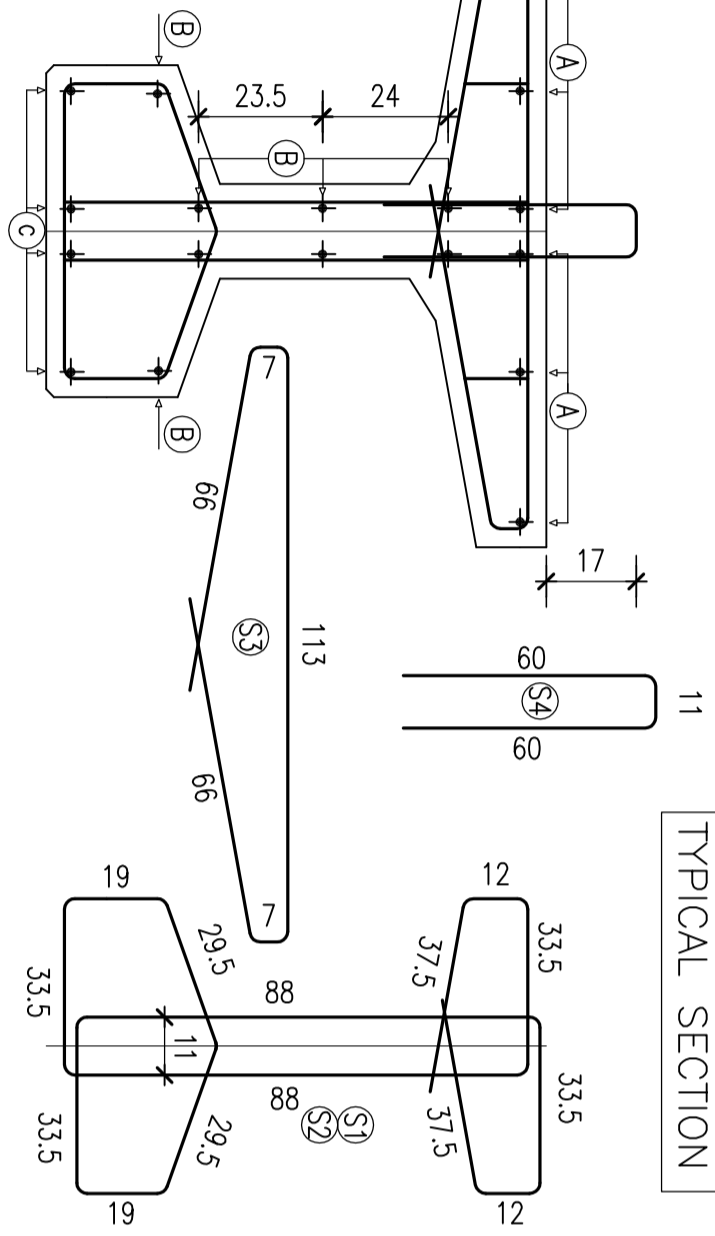


100	n. 2 plastic ducts liv. 15	100	n. 2 plastic ducts liv. 15
200	n. 2 plastic ducts liv. 15	200	n. 2 plastic ducts liv. 15
48	A 2Ø14	48	A 6Ø10 L=2094
81	B 3Ø10	81	B 8 Ø8
81	C 1Ø14	81	C 2Ø14
140	D 4Ø14	140	D 3Ø10
140	E 1Ø14	140	E 1Ø14
24	F 4Ø14	24	F 4Ø14

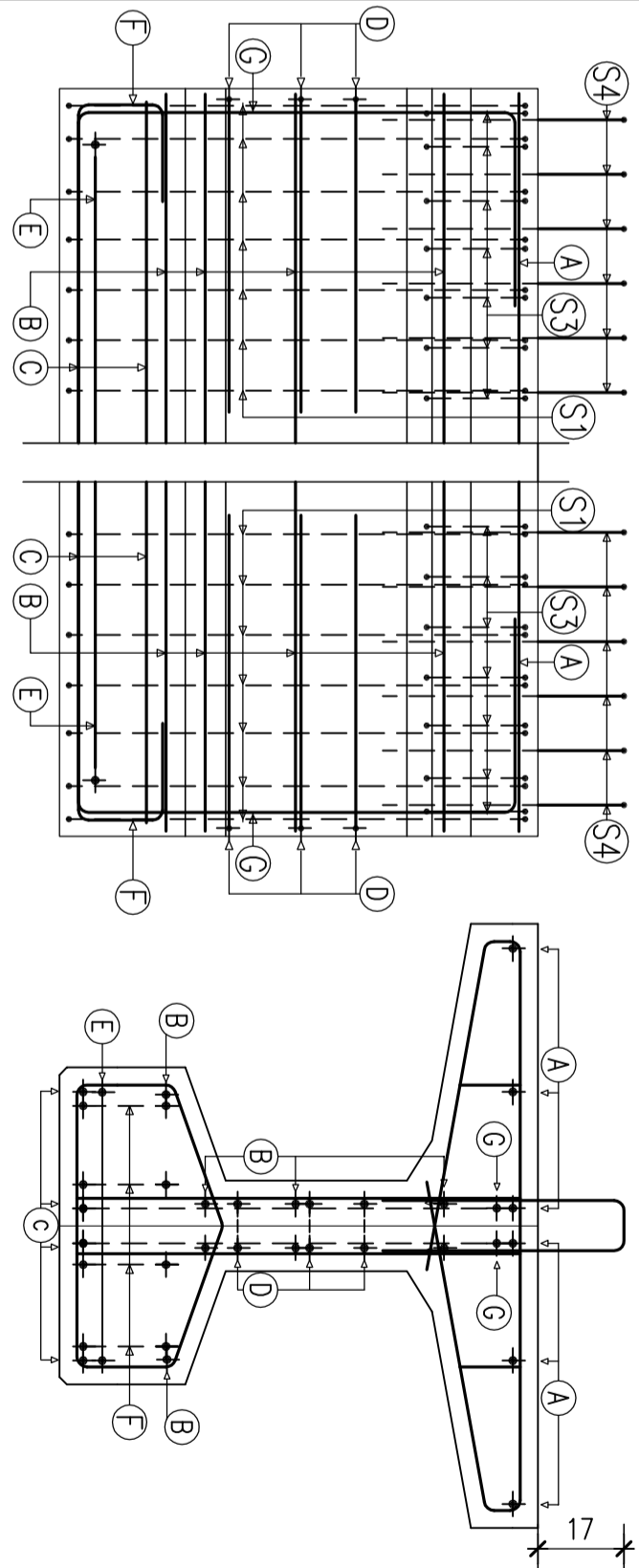
Beam Type 6



TYPICAL SECTION



TYPICAL END VIEW



DESIGNS OUTSIDE SCALE

LOADS

VARIABLE	: 1200	ddN/ml
PERMANENT	: 800	ddN/ml
TOTAL	: 2000	ddN/ml

Cost in place concrete, self-weight excluded

MATERIALS DATA

CONCRETE C45/55:
 Minimum Charac. Cylinder Strength
 fckj ≥ 330 ddN/cm²
 fck ≥ 450 ddN/cm²

CONVENTIONAL REINFORCING BARS:
 STEEL TYPE B450C
 fyk >= 4500 ddN/cm²
 ftR >= 5400 ddN/cm² A5>12%

PRESTRESSING STEEL:
 seven Wire low relaxation strands
 0.6 Diam.

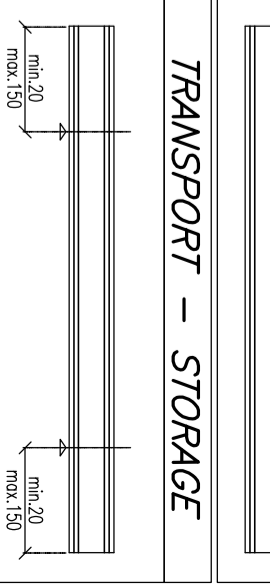
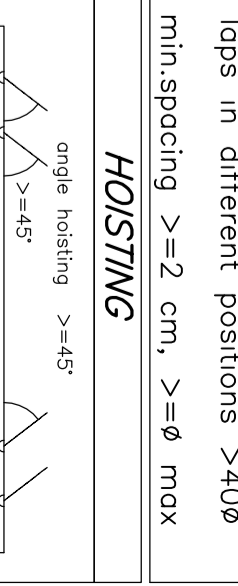
Jack tension Ø ap.=140350 ddN/cm²
 Jack Initial force=19500 ddN (Ø0.6)

fpk > 18600 ddN/cm²
 fp(1)k > 16700 ddN/cm²

MIN COVER C= 3.5 cm
 Exposure class= XD3

PRODUCTION DEVIATIONS

length +1/-2.5 cm L<20m : +1/-1/800cm L>20m
 Height ± 1 cm
 Width ± 1 cm
 pos. Prestressing steel ± 0.5 cm
 pos. Conventional Bars ± 1.5 cm
 lops in different positions >40Ø



LIFTING EQUIPEMENT

DESCRIPTION	N.
BIANCHI CASSEFFORME	
FOOT EYE LIFTING ANCHORS	
AXIAL NOM.CAP.LOAD I20	4

Lops different positions 40Ø

INITIAL BOW HEIGHT = -1.72cm (POSITIVE ↓ in cm)

CONCRETE
 volume mc 10.21
 Weight t 25.52



STANDARD PRESTRESSED CONCRETE GIRDERS

Date:	11-06-08
Revisions:	

Object: **Beam Type 6**
 Length 21 ml
 N° JOB: 88(C2049) **Execution design**