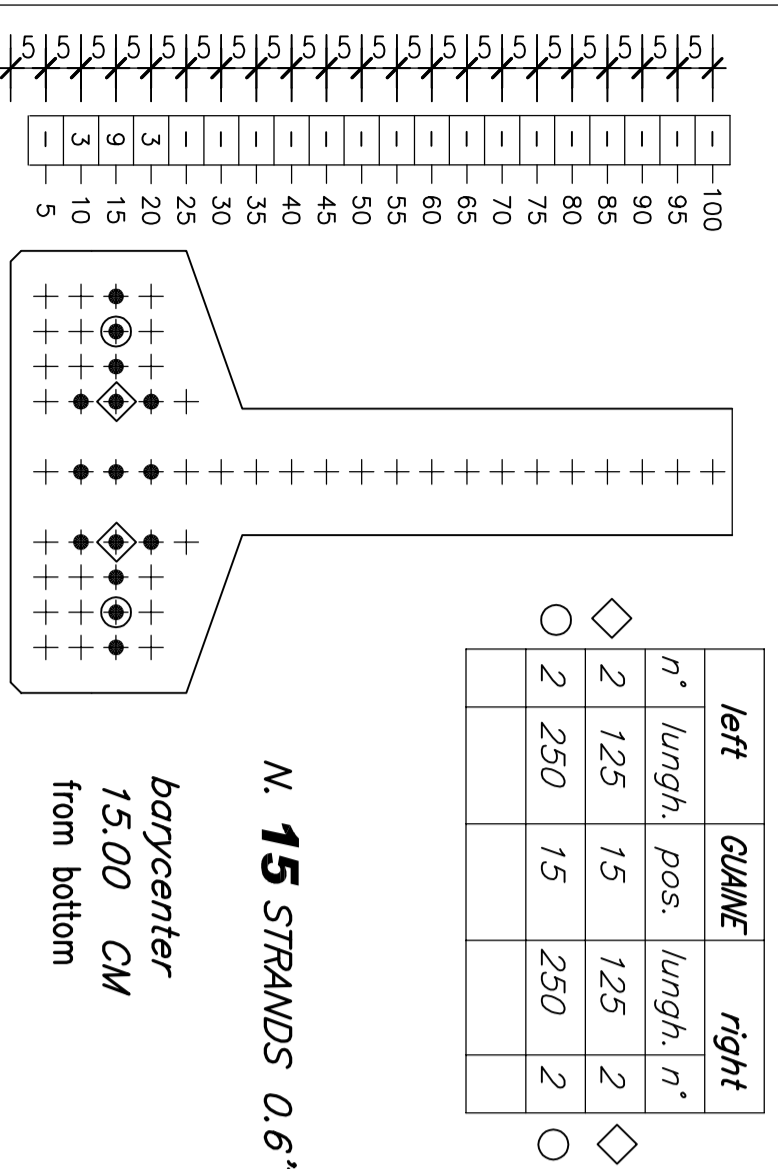


VIEW FROM ABOVE

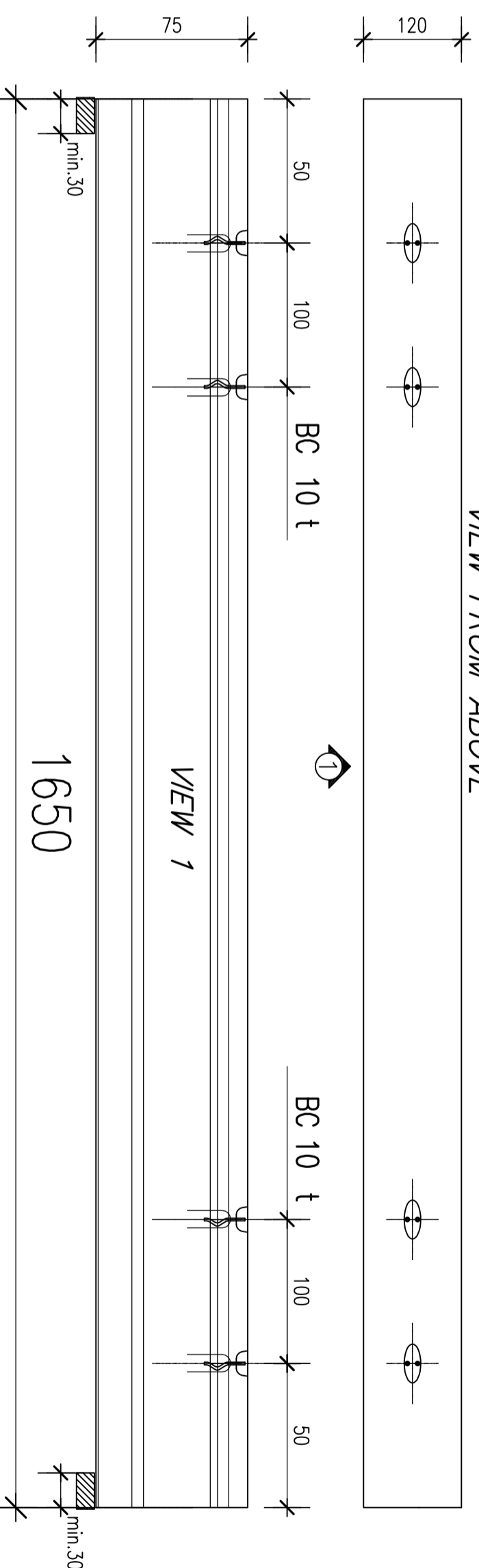


WEIGHT STRANDS Ddn 270

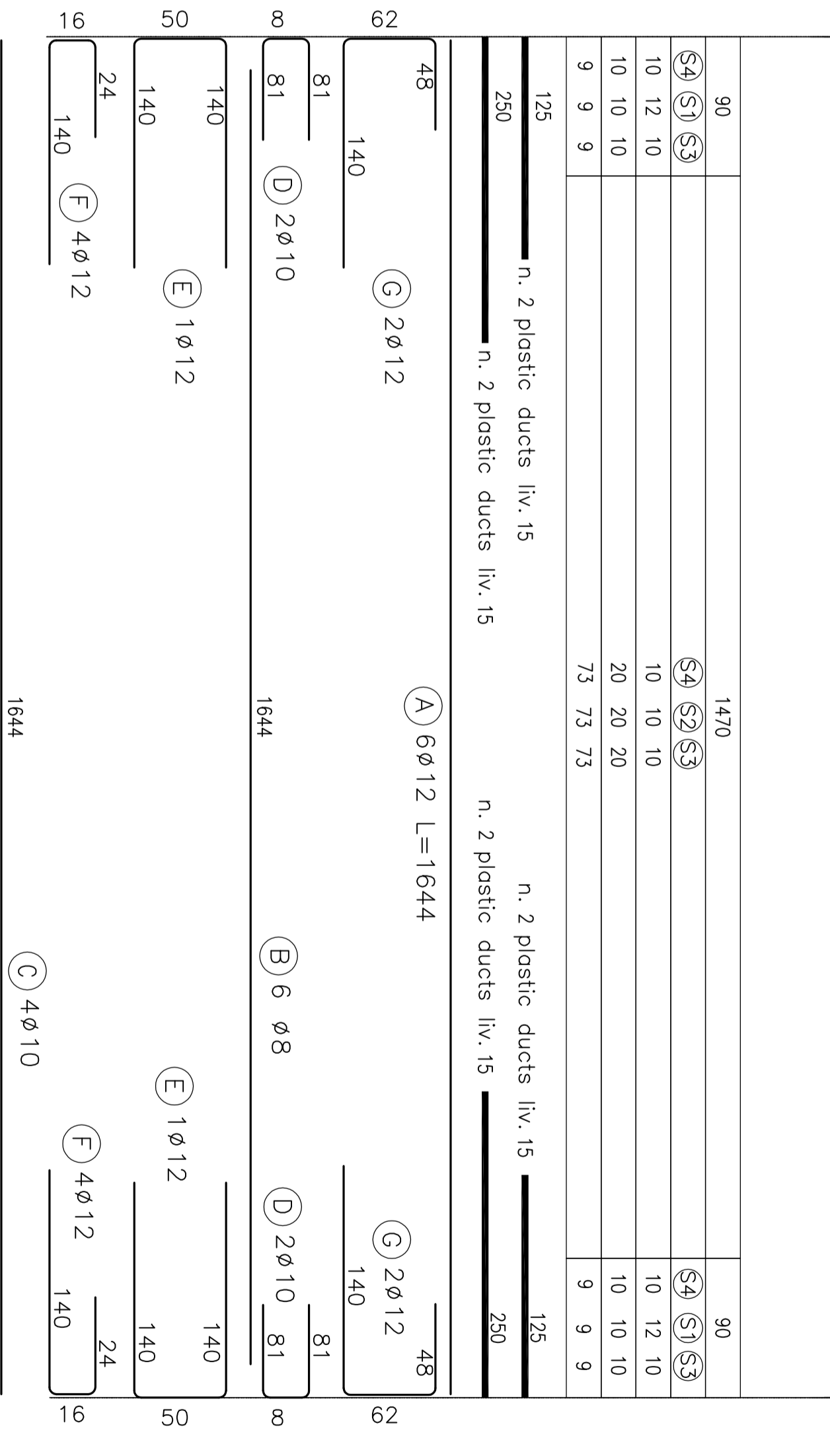
B450C				STIRRUPS B450C					
POS.	N°	∅	Length	Weight	POS.	N°	∅	Length	Weight
A	6	12	1644	87.5	S1	18	12	466	80.8
B	6	8	1644	38.9	S2	73	10	466	227.6
C	4	10	1644	40.5	S3	91	10	259	145.2
D	2+2	10	170	4.19	S4	91	10	131	73.5
E	1+1	12	330	5.86	S5				
F	4+4	12	180	12.78					
G	2+2	12	270	9.58					
H	-	-	-	-					
I	-	-	-	-					

WEIGHT B50C ddn 726.4

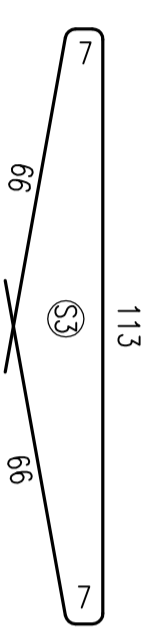
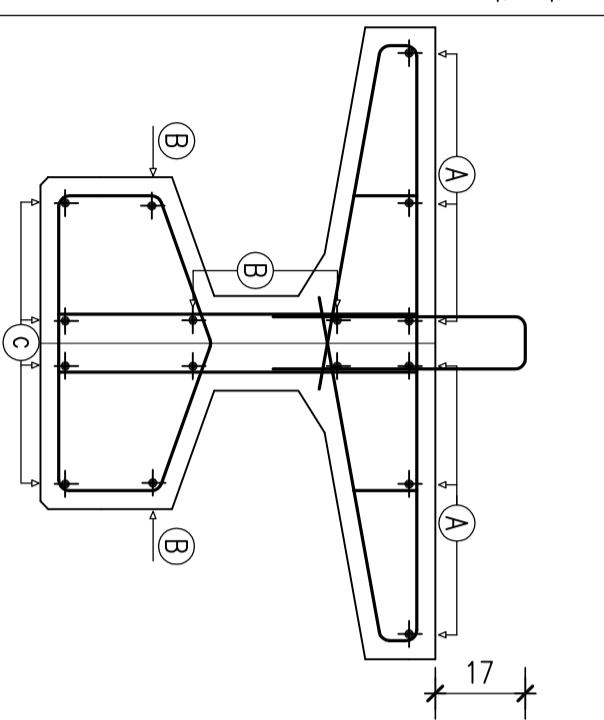
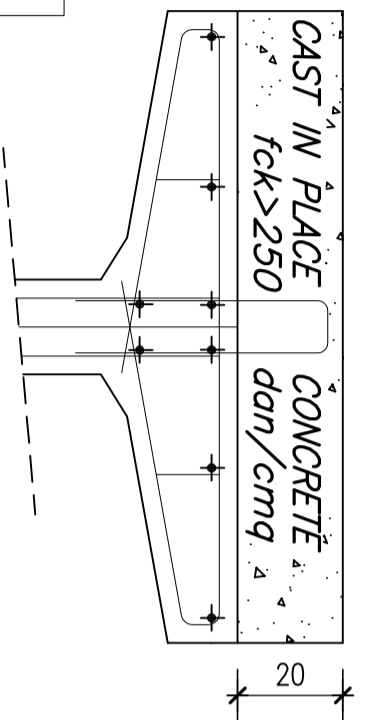
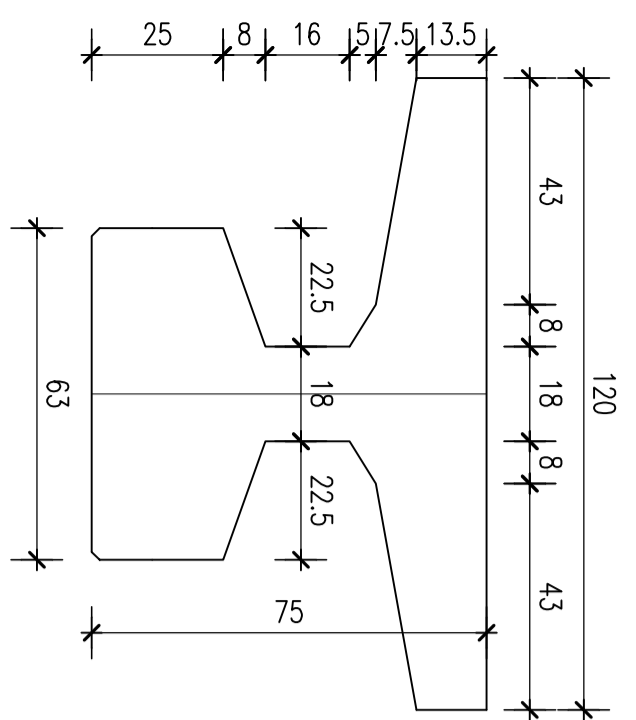
LENGTH cm.	90
Stirrups Type	S4 S1 S3
∅	10 12 10
SPACING	10 10 10
N.	9 9 9



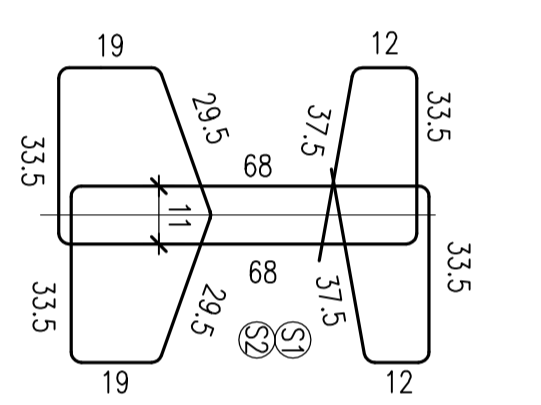
VIEW 1



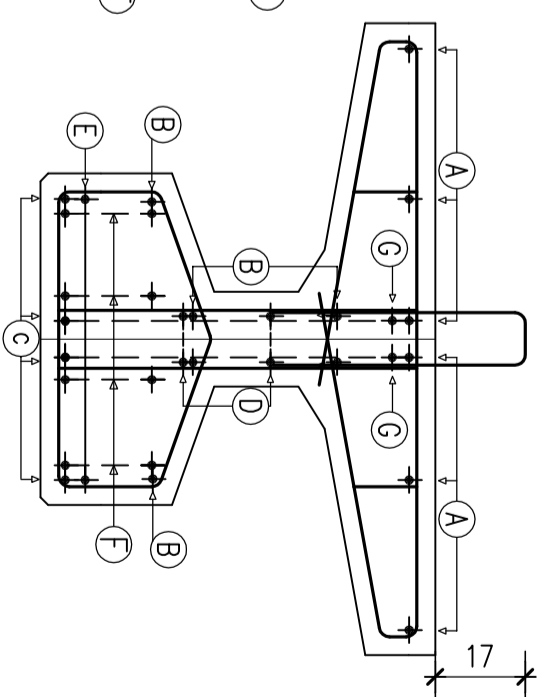
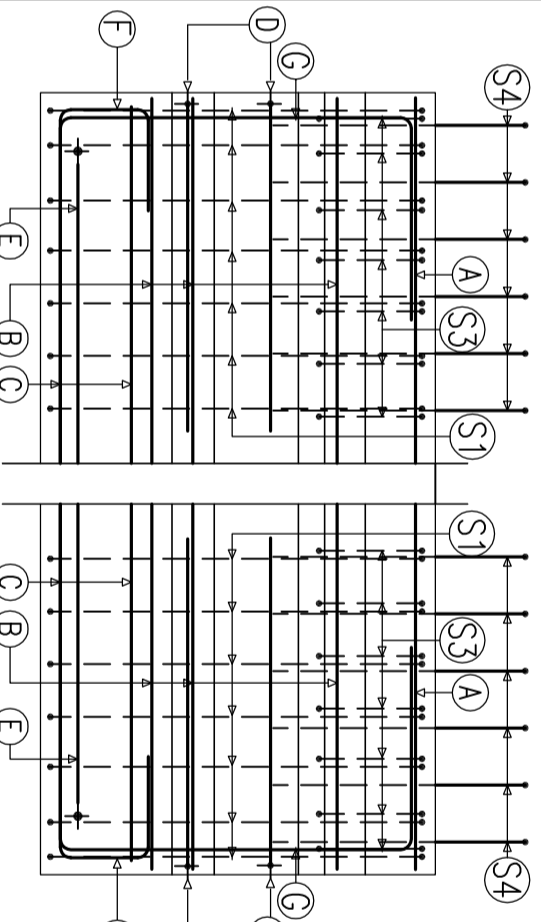
Beam Type 5



TYPICAL SECTION



TYPICAL END VIEW



DESIGNS OUTSIDE SCALE

LOADS

VARIABLE : 1200 daN/ml
PERMANENT : 800 daN/ml
TOTAL : 2000 daN/ml

Cost in place concrete, self-weight excluded

MATERIALS DATA

CONCRETE C45/55:
Minimum Charac. Cylinder Strength
f_{ckj} ≥ 330 daN/cm²
f_{ck} ≥ 450 daN/cm²

CONVENTIONAL REINFORCING BARS:
STEEL TYPE B450C

f_{yk} ≥ 4500 daN/cm²
f_{tk} ≥ 5400 daN/cm² A5 > 12%

PRESTRESSING STEEL:

seven wire low relaxation strands
0.6 Diam.

Jack tension $\hat{\sigma}_{ap}$ = 14030 daN/cm²
Jack initial force = 19500 daN (90.6)

f_{pk} > 18600 daN/cm²
f_{p(1)k} > 16700 daN/cm²

MIN COVER C = 3.5 cm
Exposure class = XD3

PRODUCTION DEVIATIONS

length +1/-2.5 cm (<20m) ; +1/-1/800cm (>20m)
Height ± 1 cm
Width ± 1 cm

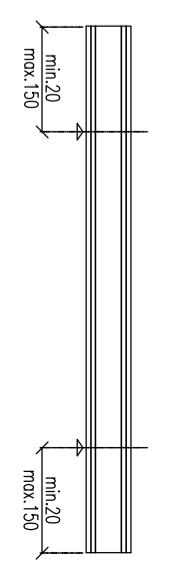
pos. Prestressing steel ± 0.5 cm
pos. Conventional Bars ± 1.5 cm

laps in different positions >40∅
laps.spacing >=2 cm, >=∅ max

HOISTING



TRANSPORT - STORAGE



LIFTING EQUIPEMENT

DESCRIPTION	N.
BIANCHI CASSEFORME	
FOOT EYE LIFTING ANCHORS	
AXIAL NOM.CAP.LOAD f10	4

Laps different positions 40∅

INITIAL BOW HEIGHT = -1.400cm (POSITIVE ↓ in cm)

CONCRETE
volume mc 7.42
Weight t 18.57

ENGISOFT (ITALY)
DESIGNAZIONE d/6 (65)
Web: www.engisoft.org
Mail: studi@engisoft.org

STANDARD PRESTRESSED CONCRETE GIRDDERS

Date: 11-06-08

Object: Beam Type 5
Length 16.5 ml

N° JOB: 88(C2049) PHASE: Execution design

Revisioni: _____