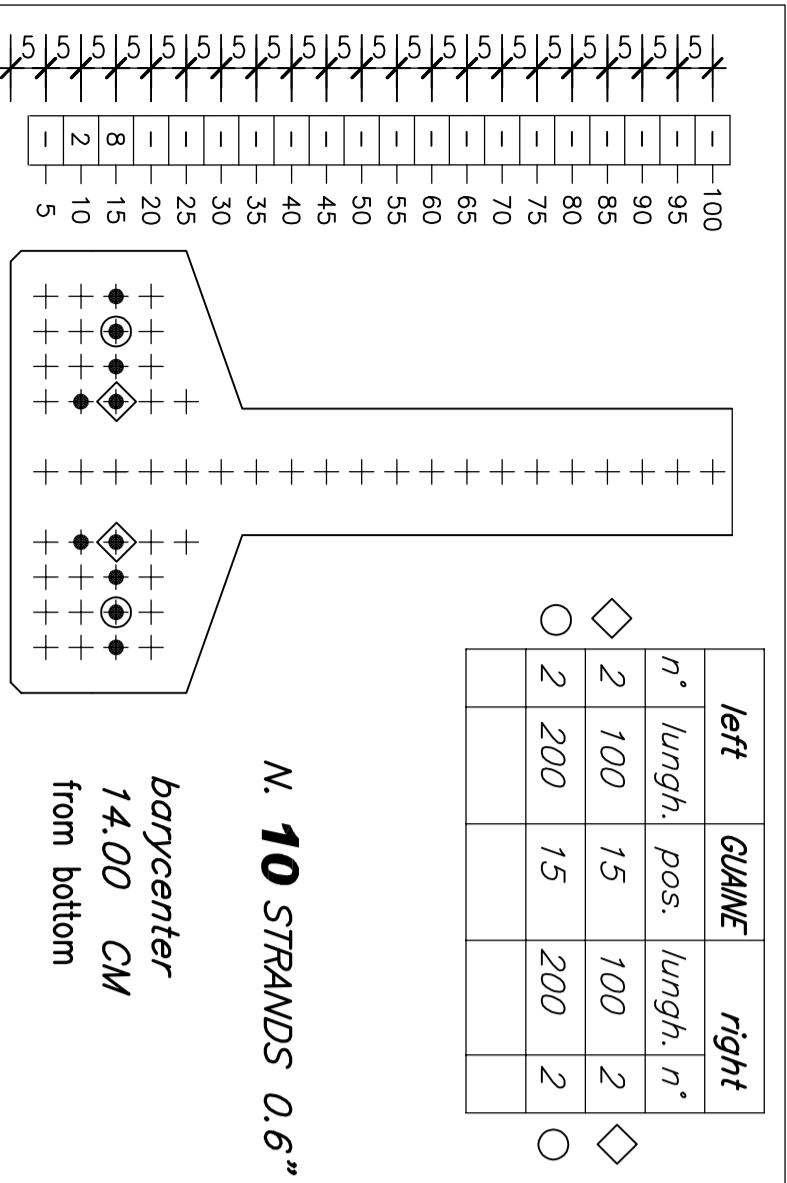


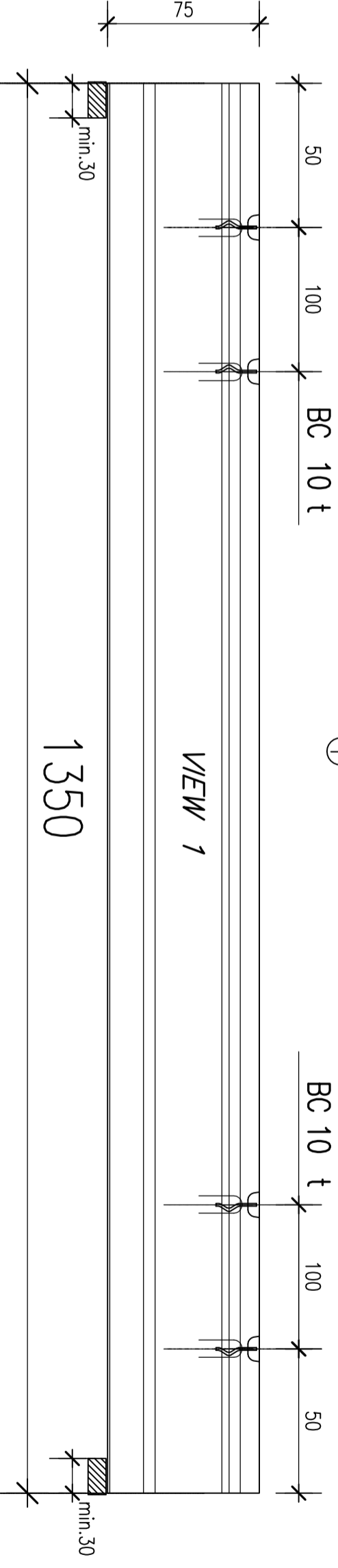
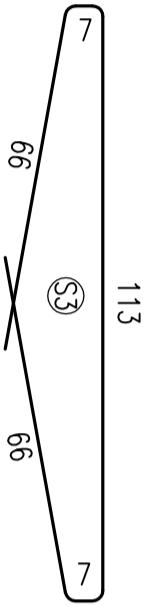
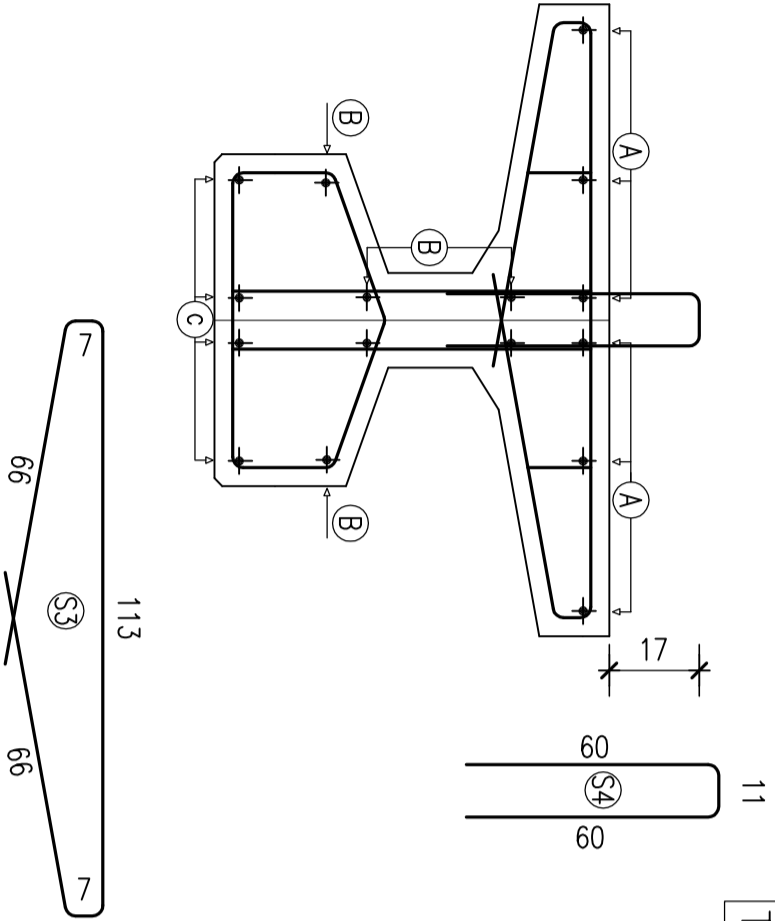
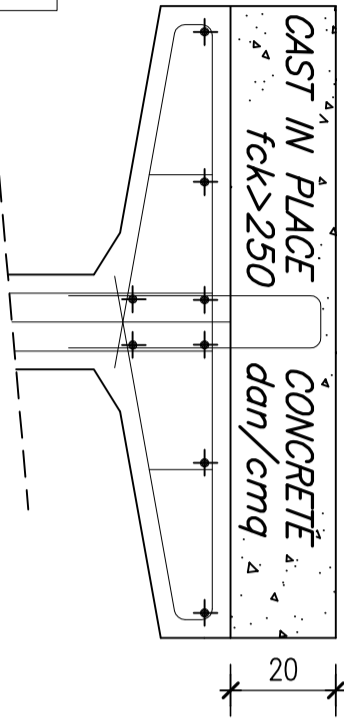
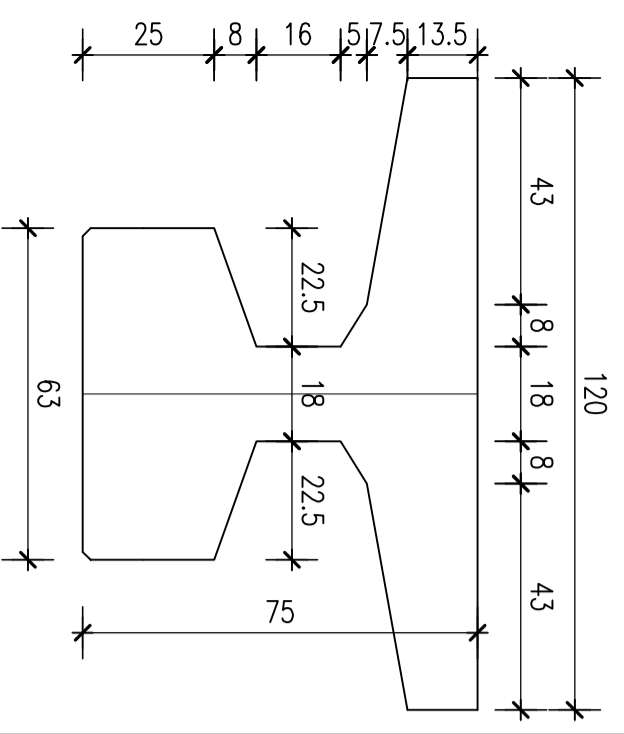
VIEW FROM ABOVE



B450C			STIRRUPS B450C		
POS.	N°	Length Weight	POS.	N°	Length Weight
A	6	1344	S1	12	12
B	6	8	S2	52	10
C	4	10	S3	64	10
D	2+2	10	S4	64	10
E	1+1	12	S5		
F	4+4	12			
G	2+2	12			
H	-	-			
I	-	-			
			WEIGHT B50C dan		
			538.6		

LENGTH cm.
Stirrups Type
∅
SPACING
N.

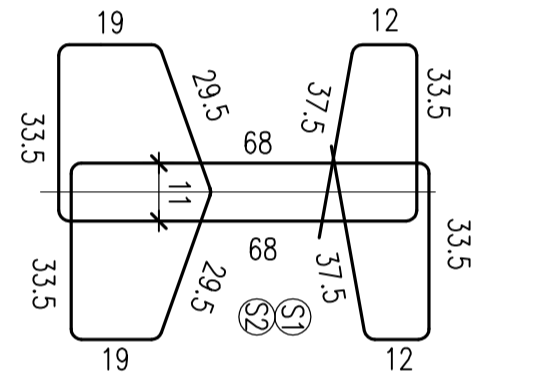
Beam Type 5



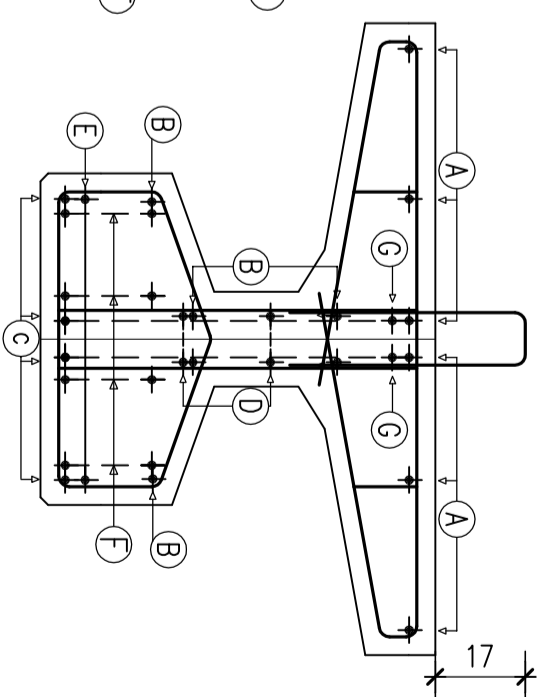
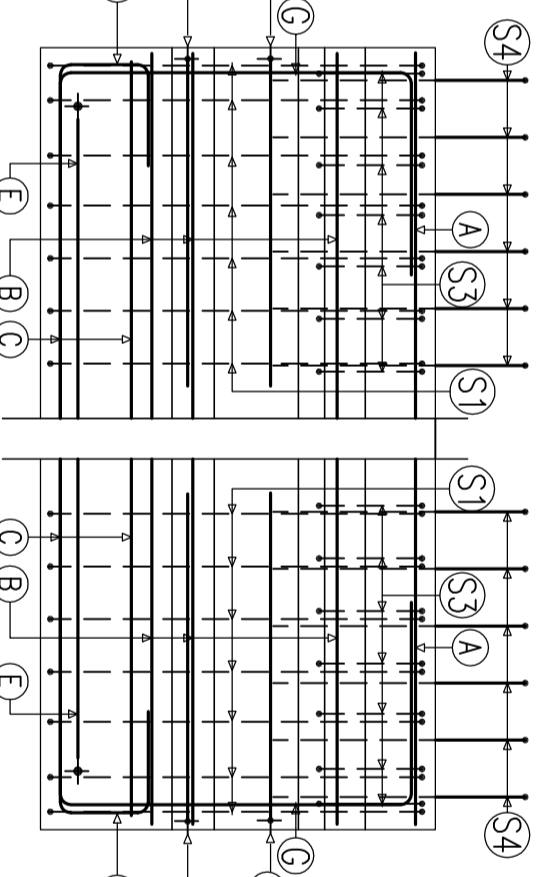
LENGTH cm.	Stirrups Type	∅	SPACING	N.
90	S4 S1 S3			
10	12	10	10	10
15	15	15	22.5	22.5
6	6	6	52	52

100	n. 2 plastic ducts liv. 15	100	n. 2 plastic ducts liv. 15
200	n. 2 plastic ducts liv. 15	200	n. 2 plastic ducts liv. 15
48		48	A 6∅12 L=1344
81		81	B 6 ∅8
81	D 2∅10	81	D 2∅10
140	E 1∅12	140	E 1∅12
140	F 4∅12	140	F 4∅12
24		24	
140		140	C 4∅10
9		9	

TYPICAL SECTION



TYPICAL END VIEW



DESIGNS OUTSIDE SCALE

LOADS

VARIABLE	: 1200	dan/ml
PERMANENT	: 800	dan/ml
TOTAL	: 2000	dan/ml

Cost in place concrete, self-weight excluded

MATERIALS DATA

CONCRETE C45/55:
Minimum Charac. Cylinder Strength
f_{ckj} ≥ 330 dan/cm^q
f_{ck} ≥ 450 dan/cm^q

CONVENTIONAL REINFORCING BARS:
STEEL TYPE B450C
f_{yk} ≥ 4500 dan/cm^q A5>12%
f_{tk} ≥ 5400 dan/cm^q

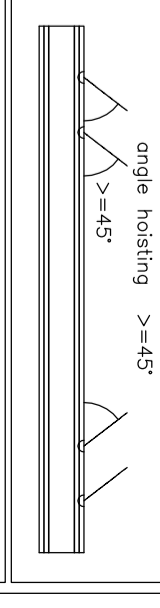
PRESTRESSING STEEL:
seven wire low relaxation strands
0.6 Diam.

Jack tension $\hat{\sigma}_{ap}$ = 140350 dan/cm^q
Jack initial force = 19500 dan (90.6)
f_{pk} > 18600 dan/cm^q
f_{p(1)k} > 16700 dan/cm^q
MIN COVER C = 3.5 cm
Exposure class = XD3

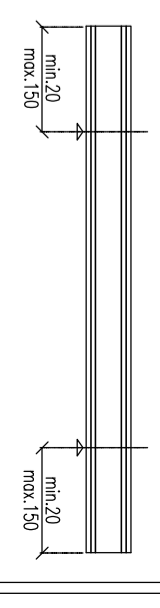
PRODUCTION DEVIATIONS

length +1/-2.5 cm (L20m : +1/-L/800cm L>20m
Height ± 1 cm
Width ± 1 cm
pos. Prestressing steel ± 0.5 cm
pos. Conventional Bars ± 1.5 cm
laps in different positions >40∅
mins.spacing >=2 cm, >=∅ max

HOISTING



TRANSPORT - STORAGE



DESCRIPTION	N.
BIANCHI CASSEFFORME	
FOOT EYE LIFTING ANCHORS	
AXIAL NOM.CAP.LOAD f10	4

LIFTING EQUIPEMENT

Laps different positions 40∅	40x∅
------------------------------	------

INITIAL BOW HEIGHT = -0.69cm
(POSITIVE ↓ in cm)

CONCRETE
volume mc 6.07
Weight t 15.19

DESIZENANO d/6 (BS)
ENGISOFT
(ITALY)
Web: www.engisoft.org
Mail: studi@engisoft.org

STANDARD PRESTRESSED CONCRETE GIRDERS
Date: 11-06-08
Revisions: -

Object:	Beam Type 5
N° JOB	88(C2049)
PHASE	Execution design
Length	13.5 ml