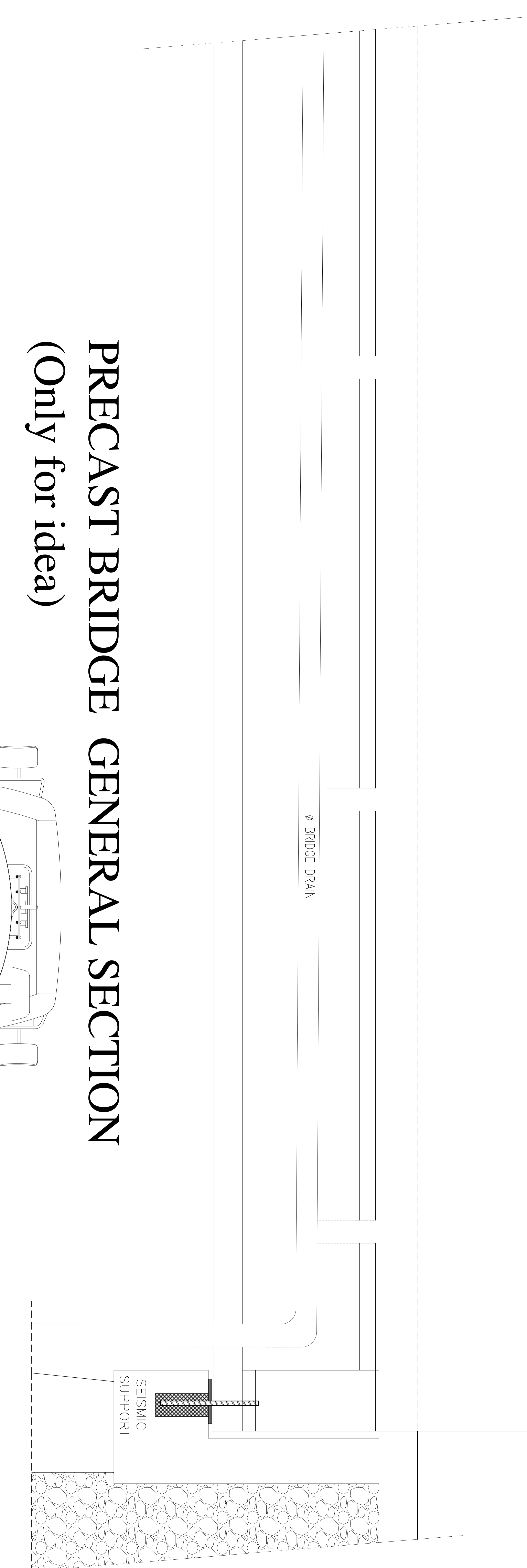
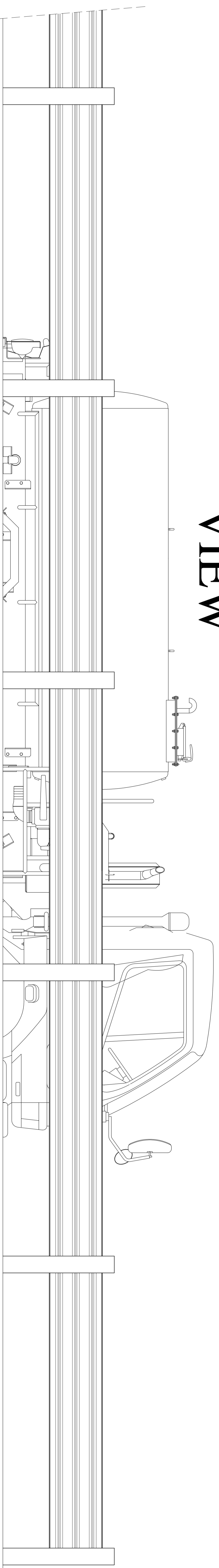
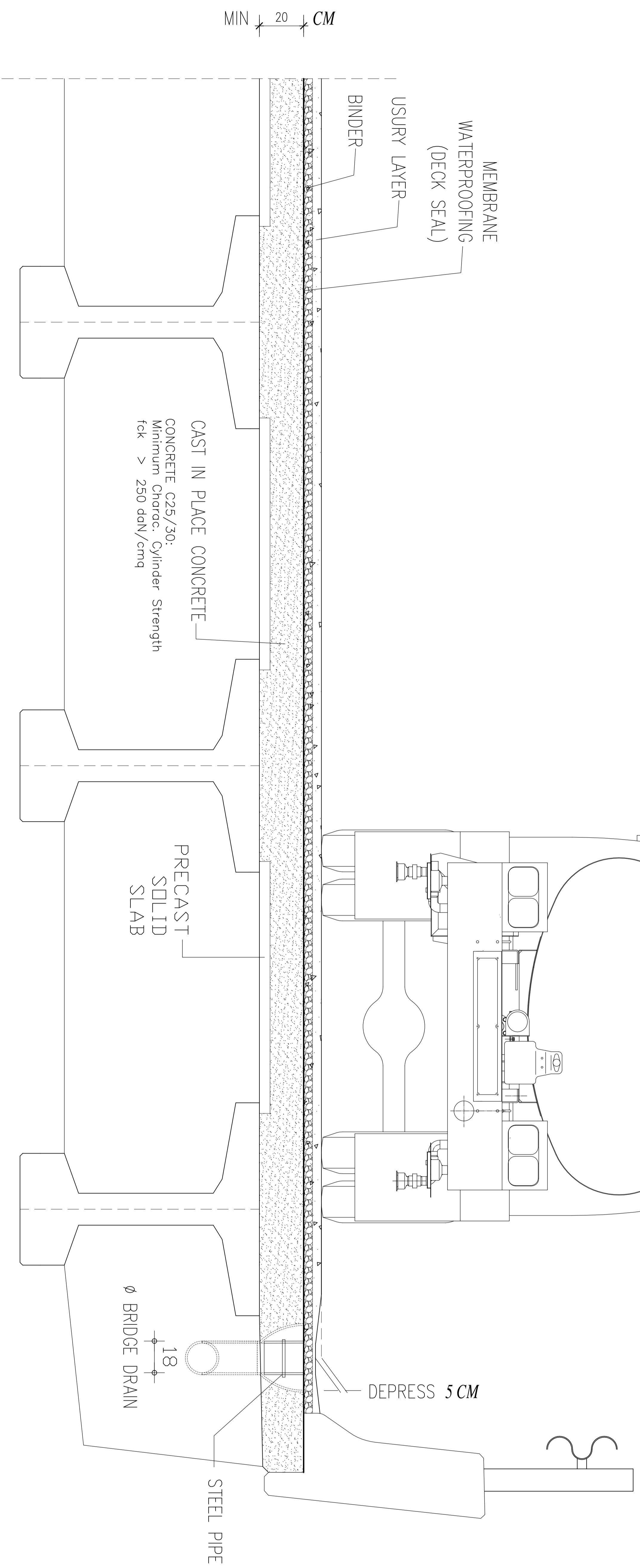


VIEW



PRECAST BRIDGE GENERAL SECTION (Only for idea)



ENGISOFT DESIGNING THE CONCRETE / BS (ITALY)
 Web: www.engisoft.org
 E-Mail: info@engisoft.org

TENSION PRESTRESSED CONCRETE GIRDERS

Object: PRECAST BRIDGE
 GENERAL DESIGN

Phase: General design

Date: 08-09-08
 Revision:

 Drawing N. 1 of 1