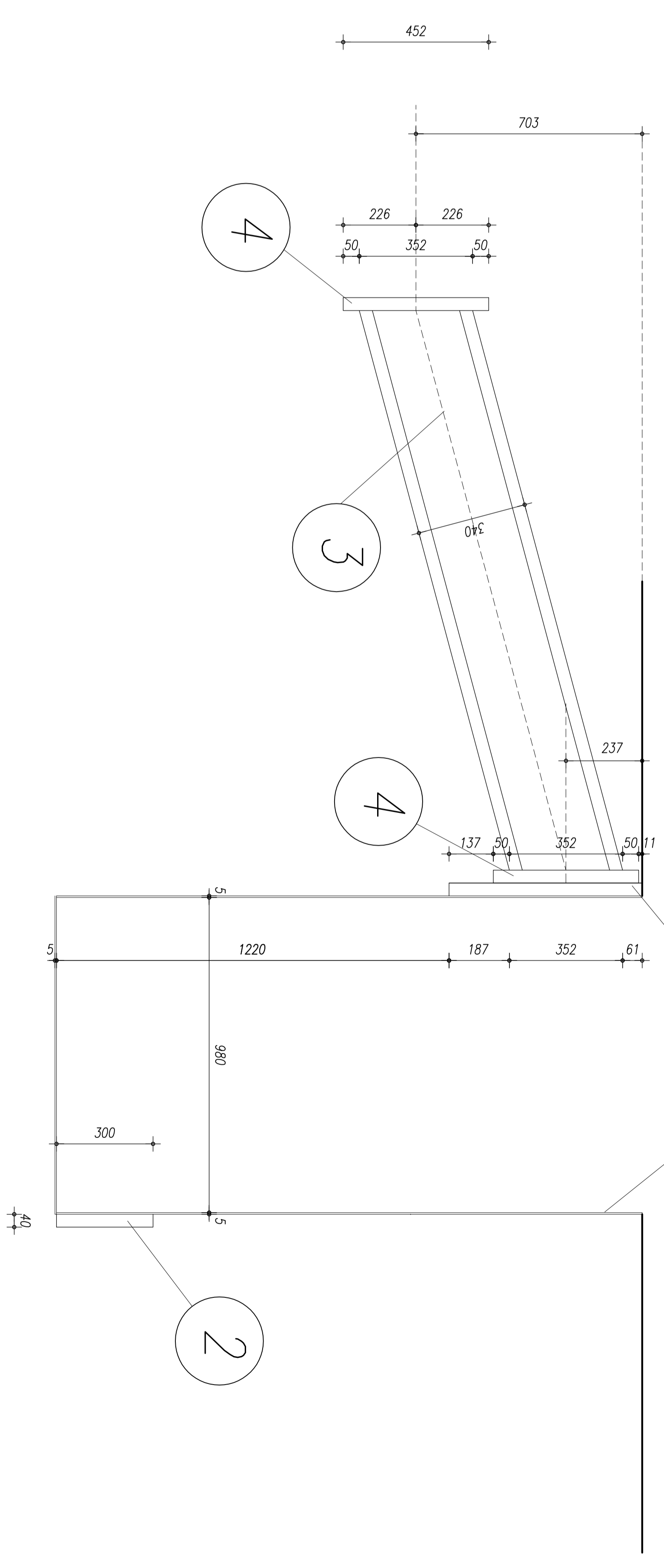
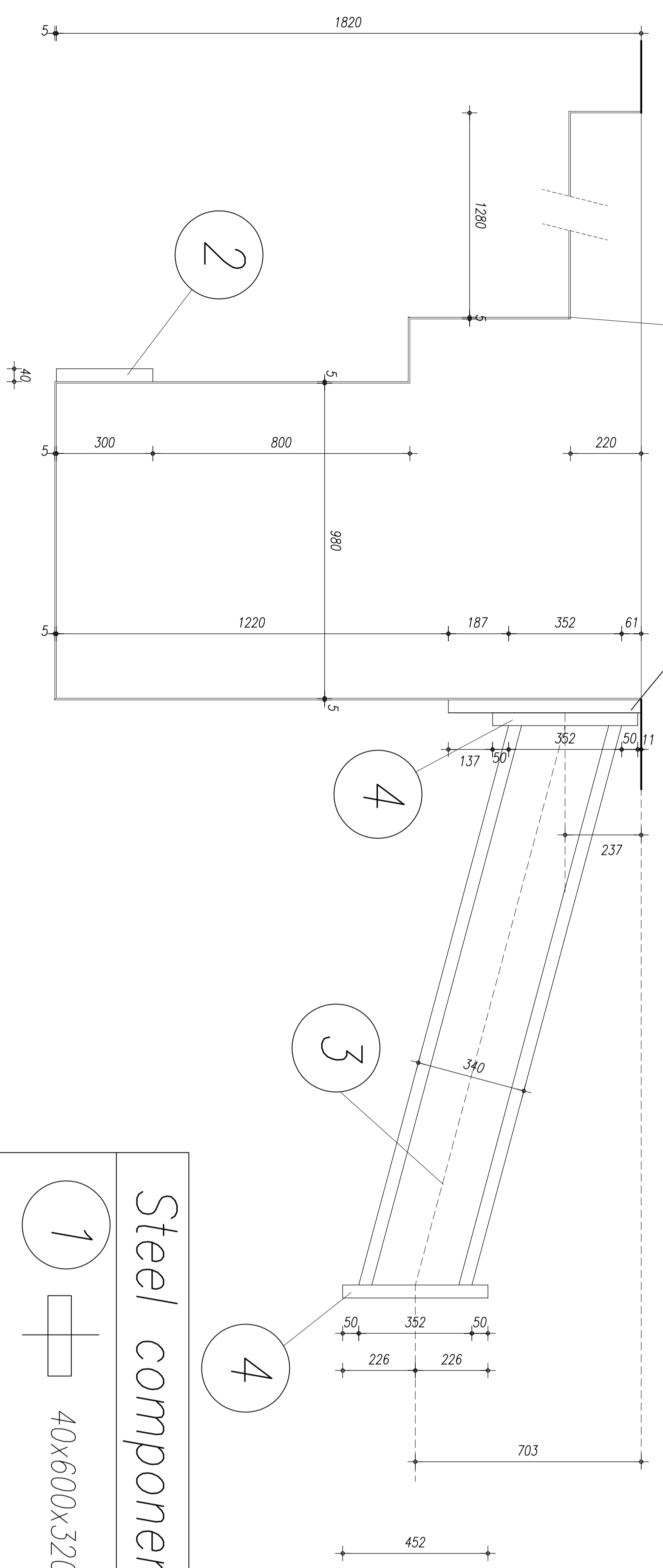


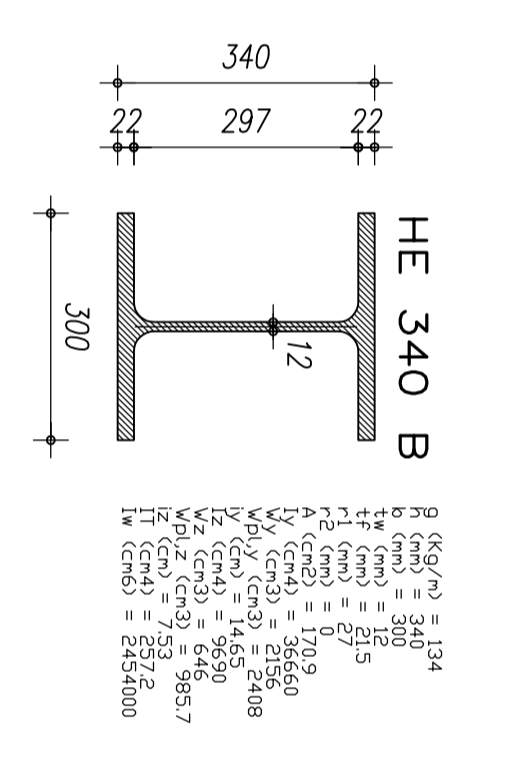
FORMWORK SYSTEM TO LOSE
SECTION A-A

SECTION B-B
FORMWORK SYSTEM TO LOSE



Steel components

1		40x600x3200
2		40x300x3200
3		HE340B
4		40x452x800



MATERIALS DATA			
Steel grade	S275	EN 10255-2	$f_y \geq 275$ N/mm ² $f_u \geq 430$ N/mm ²
Weldings	consumables	quality level	C according to EN ISO 25817
Continuous welding having a radius equal to minimum thickness of two parts connected			
FIBRM/DRK SYSTEM TO LOSE			
Indicative thickness 3 mm, reinforcement with steel elements is necessary			

ENGISOFT
 DESIGNAZIONE DEL CADUTA / BS (ITALY)
 Web: www.engisoft.it
 E-Mail: studi@engisoft.it

PRESTRESSED CONCRETE GIRDERS

Object:	800 t TENSION PLATFORM
Project:	88 (C2049)
Phase:	Steel components

Date:	01-07-08
Revision:	10-07-08
Drawings:	N. 2 of 3